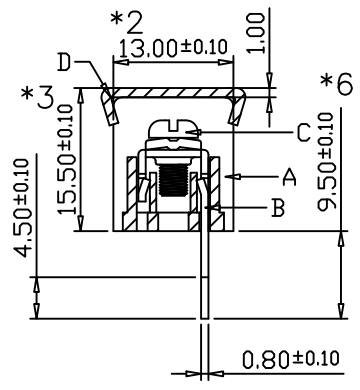
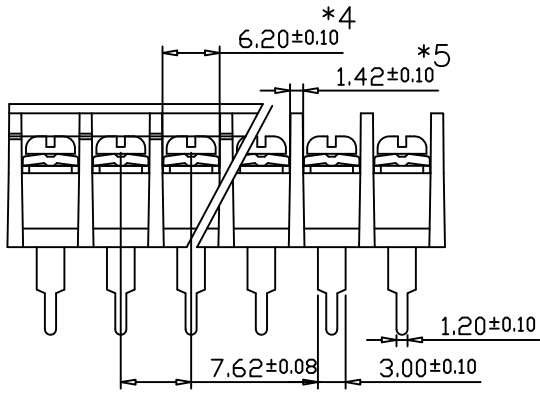
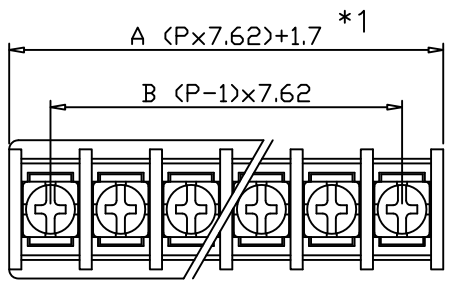


ZONE		REV	DESCRIPTION	DATE	APPROVED



✓	Poles	A±0.30	B±0.20		17	131.14	121.92
	02	16.94	7.62		18	138.86	129.54
	03	24.56	15.24	↓	Poles	A±0.45	B±0.35
	04	32.18	22.86		19	146.48	137.16
	05	39.80	30.48		20	154.10	144.78
	06	47.42	38.10		21	161.72	152.40
↓	Poles	A±0.35	B±0.25		22	169.34	160.02
	07	55.04	45.72		23	176.96	167.64
	08	62.66	53.34		24	184.58	175.26
	09	70.28	60.96	↓	Poles	A±0.50	B±0.40
	10	77.90	68.58		25	192.20	182.88
	11	85.52	76.20		26	199.82	190.50
	12	93.14	83.82		27	207.44	198.12
↓	Poles	A±0.40	B±0.30		28	215.06	205.74
	13	100.76	91.44		29	222.68	213.36
	14	108.38	99.06		30	230.30	220.98
	15	116.00	106.68		31	237.92	228.60
	16	123.62	114.30		32	245.54	236.22

Screws Torque: 12 In-Lb
 Wire Range: 16~22 AWG
 Rated: 15 Amperes.AC300V
 Operation Temperature: -55°C~+105°C
 Insulation withstands volt: AC2000V min
 Insulation resistance: >1000MΩ DC500V

Part Number:
 FTB-707-□P-□

02~32 Poles With Cover

	Material	Plating/Finish	Remark
A	Insulating body PA66 94V-0	PA66	Black
B	Terminals Brass	Tin	
C	Screws Steel	Nickel	
D	Cover PC		
E			

文件發行
 2024.12.20
 JULIA



Size update From 9.6 to 9.5 (2021/10/15)

HOW DER
 ELECTRONIC CO.,LTD

DESIGN	CHECK	APPROVED	DRAWING NO.	PART NAME	UNIT	REVISION
DATE	DATE	DATE	7076216	Terminal Blocks	MM	
2009/09/03				CERTIFIED		

1/1