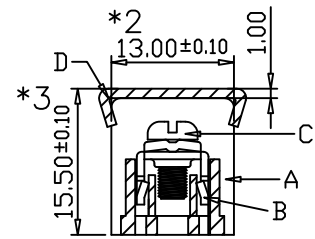
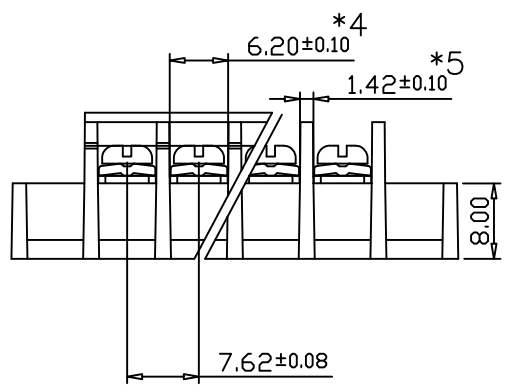
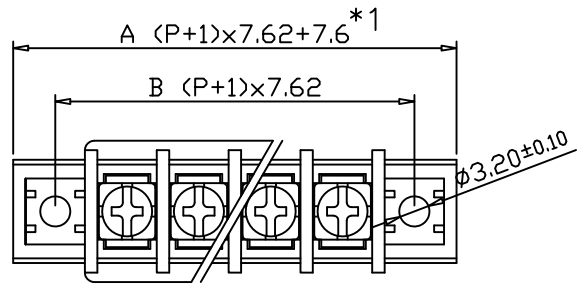


| ZONE | | REV | DESCRIPTION | DATE | APPROVED |
|------|--|-----|-------------|------|----------|
|------|--|-----|-------------|------|----------|



| ✓ | Poles | A±0.30 | B±0.20 | | 17 | 144.76 | 137.16 |
|---|-------|--------|--------|---|-------|--------|--------|
| | 02 | 30.46 | 22.86 | | 18 | 152.38 | 144.78 |
| | 03 | 38.08 | 30.48 | ↓ | Poles | A±0.45 | B±0.35 |
| | 04 | 45.70 | 38.10 | | 19 | 160.00 | 152.40 |
| | 05 | 53.32 | 45.72 | | 20 | 167.62 | 160.02 |
| | 06 | 60.94 | 53.34 | | 21 | 175.24 | 167.64 |
| ↓ | Poles | A±0.35 | B±0.25 | | 22 | 182.86 | 175.26 |
| | 07 | 68.56 | 60.96 | | 23 | 190.48 | 182.88 |
| | 08 | 76.18 | 68.58 | | 24 | 198.10 | 190.50 |
| | 09 | 83.80 | 76.20 | ↓ | Poles | A±0.50 | B±0.40 |
| | 10 | 91.42 | 83.82 | | 25 | 205.72 | 198.12 |
| | 11 | 99.04 | 91.44 | | 26 | 213.34 | 205.74 |
| | 12 | 106.66 | 99.06 | | 27 | 220.96 | 213.36 |
| ↓ | Poles | A±0.40 | B±0.30 | | 28 | 228.58 | 220.98 |
| | 13 | 114.28 | 106.68 | | 29 | 236.20 | 228.60 |
| | 14 | 121.90 | 114.30 | | 30 | 243.82 | 236.22 |
| | 15 | 129.52 | 121.92 | | | | |
| | 16 | 137.14 | 129.54 | | | | |

Screws Torque: 12 In-Lb
 Wire Range: 16~22 AWG
 Rated: 15 Amperes.AC300V
 Operation Temperature: -55°C~+105°C
 Insulation withstands volt: AC2000V min
 Insulation resistance: >1000MΩ DC500V

Part Number:
FTB-700-XXPH-CS
 02~30 Poles With Plate
 With Cover

| | Material | Plating/Finish | Remark |
|---|----------------------------|----------------|--------|
| A | Insulating body PA66 94V-0 | PA66 | Black |
| B | Terminals Brass | Tin | |
| C | Screws Steel | Nickel | |
| D | Cover PC | | |
| E | | | |

文件發行
 2024.04.09
 JULIA



| | | | | | | |
|--------------------|-------|----------|-------------|-----------------|------|----------|
| | | | | PART NAME | UNIT | REVISION |
| | | | | Terminal Blocks | MM | |
| DESIGN | CHECK | APPROVED | DRAWING NO. | CERTIFIED | | SHEET |
| DATE 2009/09/03 | DATE | DATE | 7076201 | | | 1/1 |