

HOW DER

DATE 20160304

SPECIFICATIONS

- ① Housing Material: PBT (UL 94V-0),Black
- ② Screw: M3.0 Nickel Plated Steel
- ③ Terminals: Tin Plated Brass
- ④ Cover: PC Transparent

Screws Torque: 7 In-Lb

Wire Range: 16~22 WG

Rated: 15 Amperes.AC250V

Operation Temperature: -55°C~+95°C

Insulation withstands volt: AC2000V min

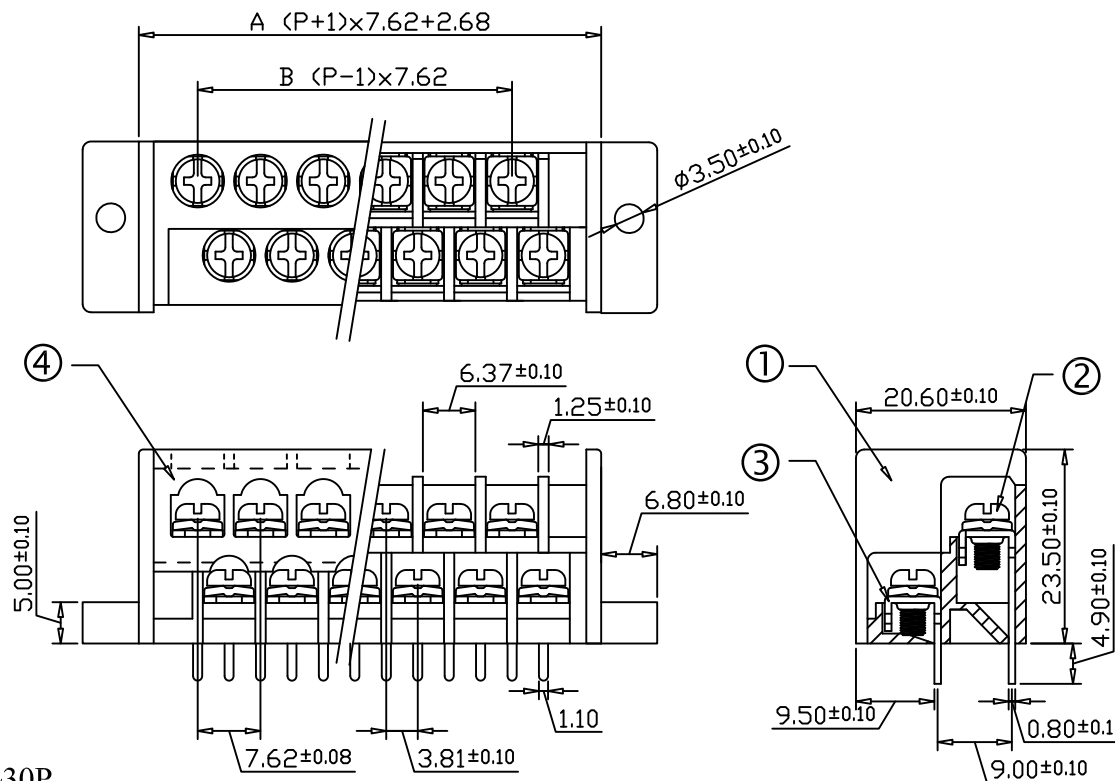
Insulation resistance: >1000MΩ or more at DC500V

Part Number:

HD-74-PH-C

Pole Size 2~30P

Tolerance ± 0.5



POLE	2	3	4	5	6	7	8	9	10	11	12	13	14	15	
A	25.54	33.16	40.78	48.40	56.02	63.64	71.26	78.88	86.50	94.12	101.74	109.36	116.98	124.60	
B	7.62	15.24	22.86	30.48	38.1	45.72	53.34	60.96	68.58	76.2	83.82	91.44	99.06	106.68	
POLE	16	17	18	19	20	21	22	23	24	25	26	27	28	29	30
A	132.22	139.84	147.46	155.08	162.70	170.32	177.94	185.56	193.18	200.80	208.42	216.04	223.66	231.28	238.90
B	114.3	121.92	129.54	137.16	144.78	152.4	160.02	167.64	175.26	182.88	190.5	198.12	205.74	213.36	220.98

文件發行
2020.04.13

張芳綾



CO/Name	HOW DER ELECTRONIC CO.,LTD	REV.	CONTENT	DATE	NO.	PART NO.	DrawingNo	DATE	DrawingNo	HD-7476202
P/Name	Double row type terminal block				①				Scale	2:1(:) ϕ \square
					②		APPROVED	DATE	Sheet	1/1
					③				Unit	mm
					④		CHECK	DATE		
http://www.howder-tw.com Tel:886-2-2223-1026										
E-mail:info@howder-tw.com Fax:886-2-2221-6471										