

SPECIFICATIONS

- ① Housing Material: Phenolic , Black
- ② Screw: M4.0 Nickel Plated Steel
- ③ Terminals: Tin Plated Brass

Screws Torque: 15.7 In-Lb

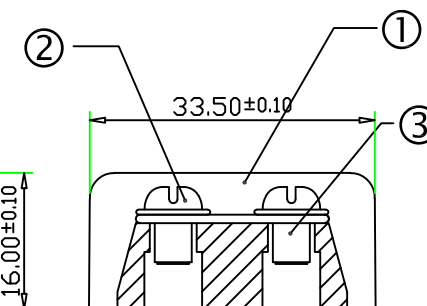
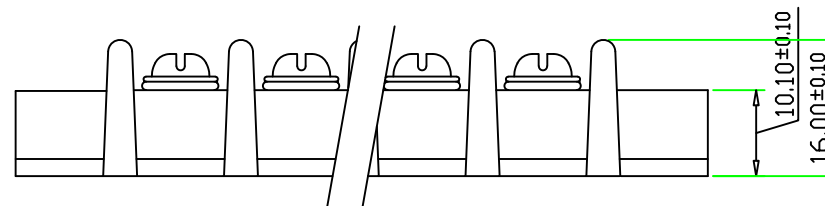
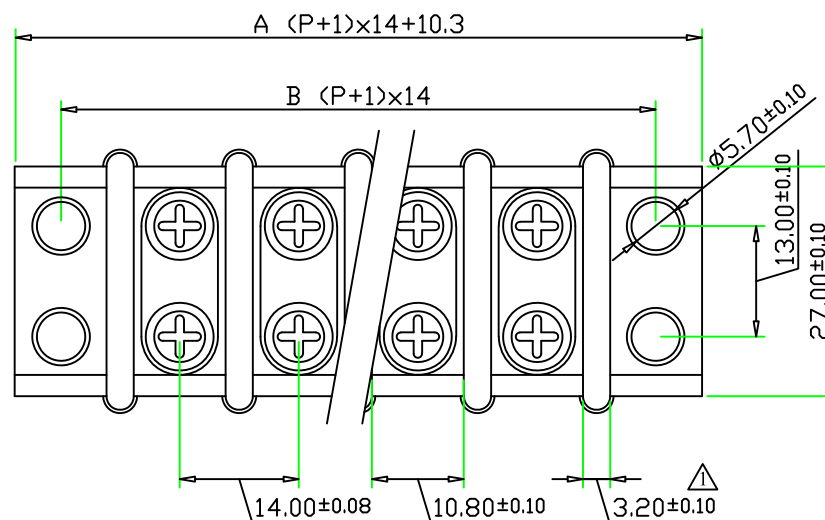
Wire Range: 10~18 WG

Rated: 40 Amperes.AC600V

Operation Temperature: -40°C~+160°C

Insulation withstands volt: AC2000V min

Insulation resistance: >1000MΩ or more at DC500V



Part Number:

HD-30A- PH

Pole Size 2~24P

POLE	2	3	4	5	6	7	8	9	10	11	12	13	14	15	
A	52.3	66.3	80.3	94.3	108.3	122.3	136.3	150.3	164.3	178.3	192.3	206.3	220.3	234.3	
B	42	56	70	84	98	112	126	140	154	168	182	196	210	224	
POLE	16	17	18	19	20	21	22	23	24						
A	248.3	262.3	276.3	290.3	304.3	318.3	332.3	346.3	360.3						
B	187	198	266	280	294	308	322	336	350						

文件發行
2023.09.18
黃琦婷



CO/Name	HOW DER ELECTRONIC CO.,LTD	REV.	CONTENT	DATE	POLES	A	B	DrawingNo		DATE		DrawingNo	HD-30A1401
		△	尺寸修改4.0修改至3.2	2023 0915	02P~06P	±0.8	±0.7						
P/Name	Double row type terminal block				07P~12P	±0.9	±0.8	APPROVED		DATE		Scale	2:1(:)
					13P~18P	±1.00	±0.9					Sheet	1/1
http://www.howder-tw.com	Tel:886-2-2223-1026				19P~24P	±1.10	±1.00	CHECK		DATE		Unit	mm
E-mail:info@howder-tw.com	Fax:886-2-2221-6471				25P~30P	±1.20	±1.10						