



SPECIFICATIONS

- ① Housing Material: Polyamide 66(UL94V-0), Black
- ② Screw: M3.0 Nickel Plated Steel
- ③ Terminals: Tin Plated Brass
- ④ Cover: PC Transparent

Screws Torque: 12 In-Lb

Wire Range: 14~18 AWG

Rated: 20 Amperes.AC300V

Operation Temperature: -55°C~+95°C

Insulation withstands volt: AC2000V min

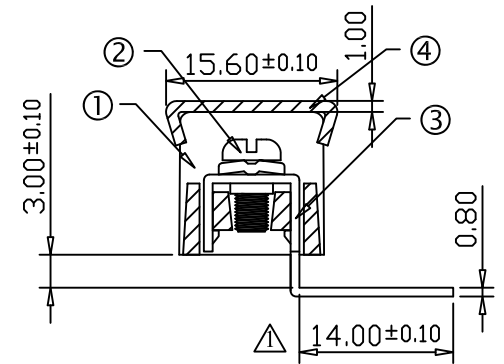
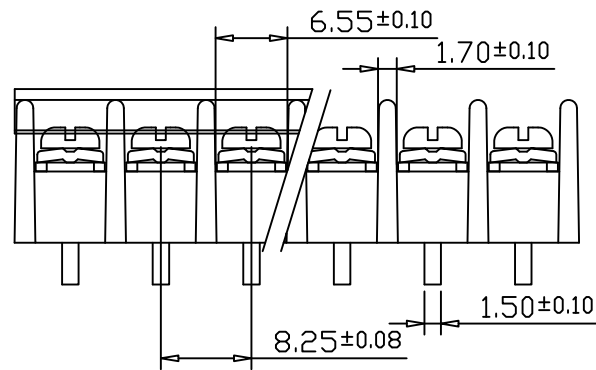
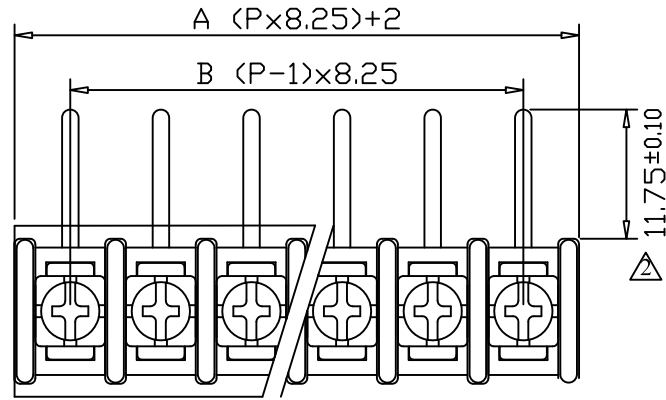
Insulation resistance: >1000MΩ or more at DC500V

Part Number:

HD-818R-□P-□

C: With Cover

Pole Size 02~32P



POLE	02	03	04	05	06	07	08	09	10	11	12	13	14	15			
A	18.5	26.75	35	43.25	51.5	59.75	68	76.25	84.5	92.75	101	109.25	117.5	125.75			
B	8.25	16.5	24.75	33	41.25	49.5	57.75	66	74.25	82.5	90.75	99	107.25	115.5			
POLE	16	17	18	19	20	21	22	23	24	25	26	27	28	29	30	31	32
A	134	142.25	150.5	158.75	167	175.25	183.5	191.75	200	208.25	216.5	224.75	233	241.25	249.5	257.75	266
B	123.75	132	140.25	148.5	156.75	165	173.25	181.5	189.75	198	206.25	214.5	222.75	231	239.25	247.5	255.75

文件發行
2019.11.19

張芳綾

ROHS

CO/Name	HOW DER ELECTRONIC CO.,LTD	REV.	CONTENT	DATE	POLES	A	B	DrawingNo	DATE	DrawingNo	HD-81682509
P/Name	Barrier type terminal block	△	尺寸修正13.8修改14.0	2019 1119	02P~06P	±0.20	±0.15	APPROVED	DATE	Scale	2:1 (:)
		△	尺寸修正12.44修改11.75	2019 1119	07P~12P	±0.25	±0.20				
					13P~18P	±0.30	±0.25	CHECK	DATE	Sheet	1/1
					19P~24P	±0.40	±0.35				
					25P~30P	±0.50	±0.40		DATE	Unit	mm

http://www.howder-tw.com Tel:02-2223-1026

E-mail:info@howder-tw.com Fax:02-2221-6471