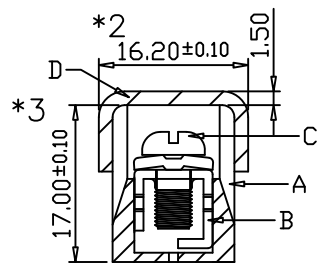
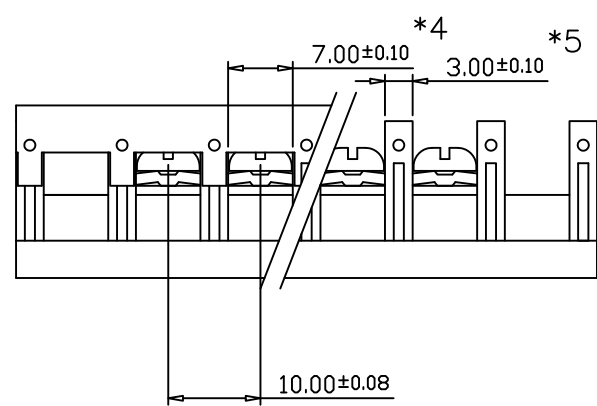
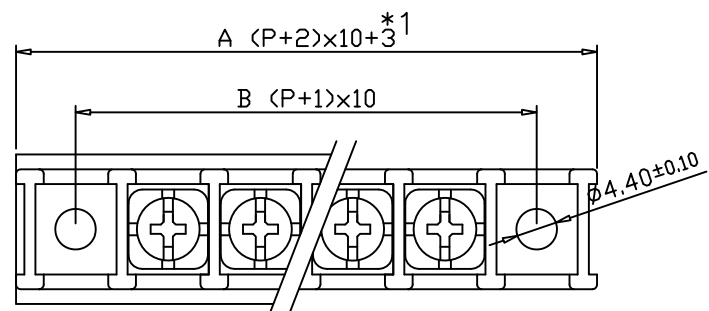


ZONE		REV	DESCRIPTION	DATE	APPROVED



✓	Poles	A±0.30	B±0.20	17	193	180
	02	43	30	18	203	190
	03	53	40	↓	Poles	A±0.45 B±0.35
	04	63	50	19	213	200
	05	73	60	20	223	210
	06	83	70	21	233	220
↓	Poles	A±0.35	B±0.25	22	243	230
	07	93	80	23	253	240
	08	103	90	24	263	250
	09	113	100	↓	Poles	A±0.50 B±0.40
	10	123	110	25	273	260
	11	133	120			
	12	143	130			
↓	Poles	A±0.40	B±0.30			
	13	153	140			
	14	163	150			
	15	173	160			
	16	183	170			

Screws Torque: 15.7 In-Lb
 Wire Range: 12~22 AWG
 Rated: 22 Amperes.AC300V UL
 Operation Temperature: -55°C~+105°C
 Insulation withstands volt: AC2000V min
 Insulation resistance: >1000MΩ DC500V

Part Number:

HD-130-XXPH-CS
 02~25 Poles With Plate
 With Cover

	Material	Plating/Finish	Remark
A	Insulating body	Barrier	PBT Black
B	Terminals	Brass	Tin
C	Screws	Steel	Nickel
D	Cover	PC	
E			

文件發行
 2022.08.04
 黃琦婷



HOW DER
 ELECTRONIC CO.,LTD

DESIGN	CHECK	APPROVED	DRAWING NO.	PART NAME	UNIT	REVISION
DATE	DATE	DATE	12095001	Terminal Blocks	MM	
2009/09/03				CERTIFIED		SHEET
						1/1