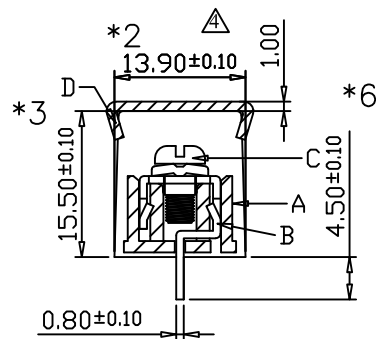
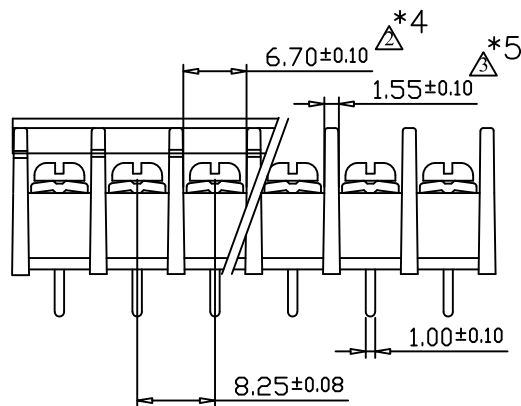
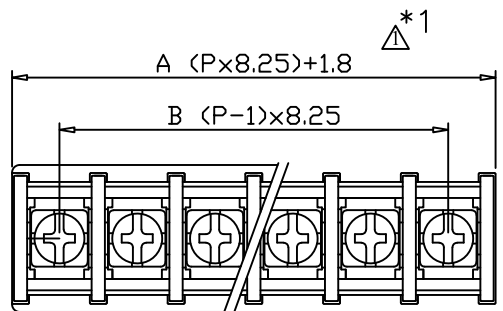


ZONE		REV	DESCRIPTION	DATE	APPROVED



✓	Poles	A±0.25	B±0.15		17	142.05	132.0
	02	18.30	8.25		18	150.30	140.25
	03	26.55	16.50	↓	Poles	A±0.45	B±0.35
	04	34.80	24.75		19	158.55	148.50
	05	43.05	33.00		20	166.80	156.75
	06	51.30	41.25		21	175.05	165.0
↓	Poles	A±0.35	B±0.20		22	183.30	173.25
	07	59.55	49.50		23	191.55	181.50
	08	67.80	57.75		24	199.80	189.75
	09	76.05	66.00	↓	Poles	A±0.50	B±0.40
	10	84.30	74.25		25	208.05	198.0
	11	92.55	82.50		26	216.30	206.25
	12	100.8	90.75		27	224.55	214.50
↓	Poles	A±0.40	B±0.25		28	232.80	222.75
	13	109.05	99.00		29	241.05	231.00
	14	117.30	107.25		30	249.30	239.25
	15	125.55	115.50		31	257.55	247.50
	16	134.28	123.75		32	265.80	255.75

Screws Torque: 12 In-Lb
 Wire Range: 16~22 AWG
 Rated: 20 Amperes.AC300V
 Operation Temperature: -55°C~+95°C
 Insulation withstands volt: AC2000V min
 Insulation resistance: >1000MΩ DC500V

Part Number:
FTB-802-XXP

02~32 Poles

- △4 Size update From 14.0 to 13.9 (2017/08/09)
- △3 Size update From 16.5 to 15.5 (2017/08/09)
- △2 Size update From 6.6 to 6.7 (2017/08/09)
- △1 Size update From 1.65 to 1.80 (2017/08/09)

文件發行
 2024.02.19
 JULIA



HOWDER ELECTRONIC CO.,LTD				PART NAME	UNIT	REVISION
DESIGN	CHECK	APPROVED	DRAWING NO.	Terminal Blocks	MM	
DATE	DATE	DATE	8082507	CERTIFIED		SHEET
2009/09/03						1/1