



HOW DER

SPECIFICATIONS

- ① Housing Material: Polyamide 66(UL94V-0), Black
- ② Screw: M3.0 Nickel Plated Steel
- ③ Terminals: Tin Plated Brass
- ④ Cover: PC Transparent

Screws Torque: 12 In-Lb

Wire Range: 16~22 AWG

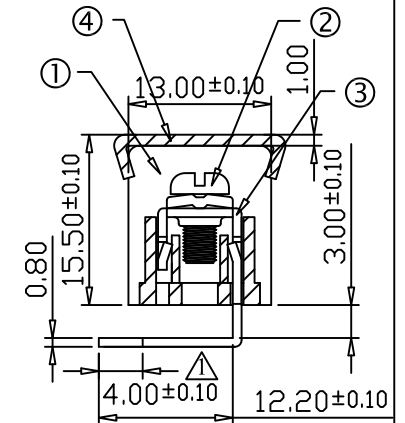
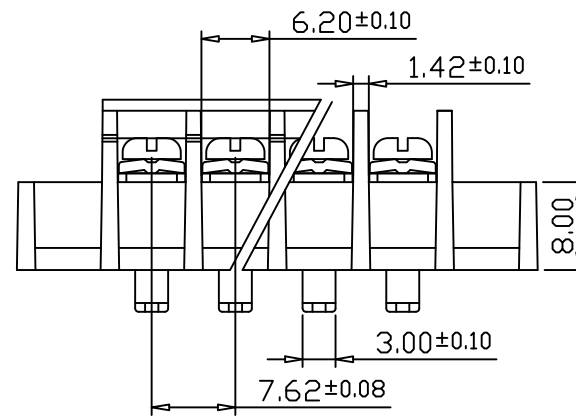
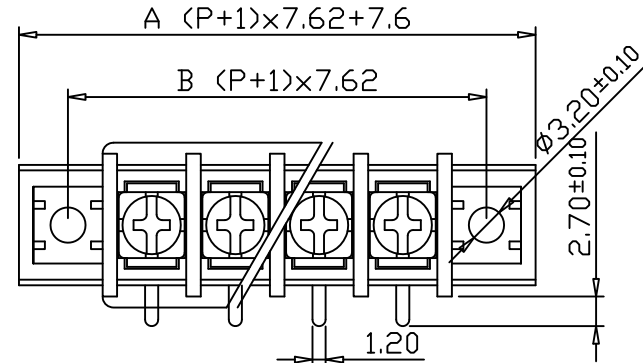
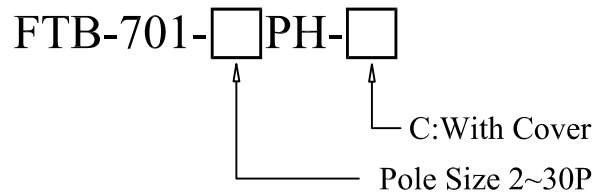
Rated: 15 Amperes.AC300V

Operation Temperature: -55°C~+105°C

Insulation withstands volt: AC2000V min

Insulation resistance: >1000MΩ or more at DC500V

Part Number:



POLE	2	3	4	5	6	7	8	9	10	11	12	13	14	15	
A	30.46	38.08	45.7	53.32	60.94	68.56	76.18	83.8	91.42	99.04	106.66	114.28	121.9	129.52	
B	22.86	30.48	38.1	45.72	53.34	60.96	68.58	76.2	83.82	91.44	99.06	106.68	114.3	121.92	
POLE	16	17	18	19	20	21	22	23	24	25	26	27	28	29	30
A	137.14	144.76	152.38	160	167.62	175.24	182.86	190.48	198.1	205.72	213.34	220.96	228.58	236.2	243.82
B	129.54	137.16	144.78	152.4	160.02	167.64	175.26	182.88	190.5	198.12	205.74	213.36	220.98	228.6	236.22



CO/Name	HOW DER ELECTRONIC CO.,LTD	REV.	CONTENT	DATE	POLES	A	B	Drawing	DATE	20160306	DrawingNo	FTB-7076203	
			Size update From 3.9 to 4.0	2018 1122	02P~06P	±0.30	±0.20						
P/Name	Barrier type terminal block				07P~12P	±0.35	±0.25	APPROVED	DATE		Scale	2:1 (:)	
					13P~18P	±0.40	±0.30					Sheet	1/1
					19P~24P	±0.45	±0.35					CHECK	DATE
http://www.howder-tw.com		Tel:02-2223-1026		25P~30P		±0.50	±0.40						
E-mail:info@howder-tw.com		Fax:02-2221-6471											