



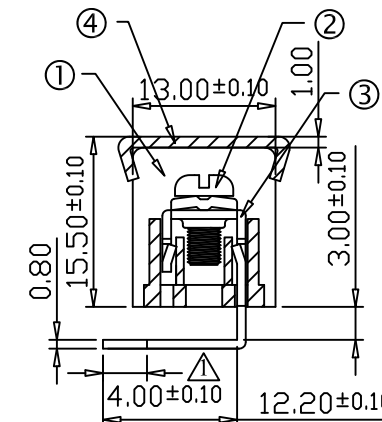
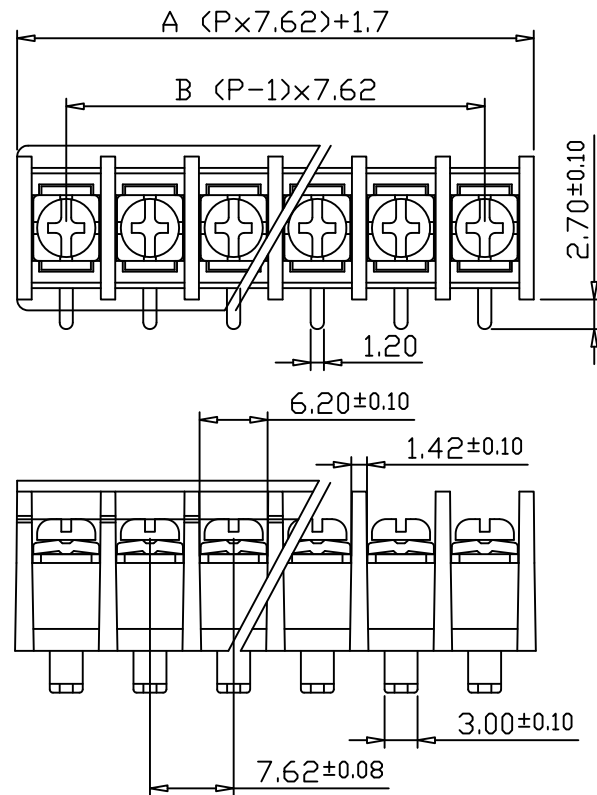
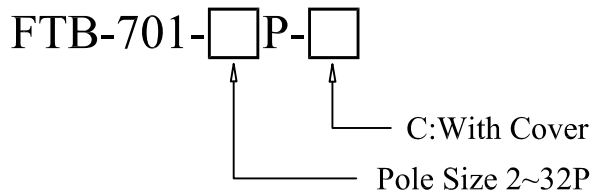
# HOW DER

## SPECIFICATIONS

- ① Housing Material: Polyamide 66(UL94V-0), Black
- ② Screw: M3.0 Nickel Plated Steel
- ③ Terminals: Tin Plated Brass
- ④ Cover: PC Transparent

Screws Torque: 12 In-Lb  
 Wire Range: 16~22 AWG  
 Rated: 15 Amperes.AC300V  
 Operation Temperature: -55°C~+105°C  
 Insulation withstands volt: AC2000V min  
 Insulation resistance: >1000MΩ or more at DC500V

### Part Number:



POLE	2	3	4	5	6	7	8	9	10	11	12	13	14	15			
A	16.94	24.56	32.18	39.8	47.42	55.04	62.66	70.28	77.9	85.52	93.14	100.76	108.38	116			
B	7.62	15.24	22.86	30.48	38.1	45.72	53.34	60.96	68.58	76.2	83.82	91.44	99.06	106.68			
POLE	16	17	18	19	20	21	22	23	24	25	26	27	28	29	30	31	32
A	123.62	131.14	138.86	146.48	154.1	161.72	169.34	176.96	184.58	192.2	199.82	207.44	215.06	222.68	230.3	237.92	245.54
B	114.3	121.92	129.54	137.16	144.78	152.4	160.02	167.64	175.26	182.88	190.5	198.12	205.74	213.36	220.98	228.6	236.22



CO/Name	HOW DER ELECTRONIC CO.,LTD	REV.	CONTENT	DATE	POLES	A	B	Drawing	DATE	20160306	DrawingNo	FTB-7076202
			Size update From 3.9 to 4.0	2018 1122	02P~06P	±0.30	±0.20					
P/Name	Barrier type terminal block				07P~12P	±0.35	±0.25	APPROVED	DATE		Scale	2:1 ( : )
					13P~18P	±0.40	±0.30					
					19P~24P	±0.45	±0.35					
http://www.howder-tw.com Tel:02-2223-1026					25P~30P	±0.50	±0.40	CHECK	DATE		Unit	mm
E-mail:info@howder-tw.com Fax:02-2221-6471												