



SPECIFICATIONS

- ① Housing Material: Polyamide 66(UL94V-0), Green
- ② Clamp: Tin Plated Phosphor Bronze
- ③ Sprung: Nicke Plated Steel
- ④ lever: Polyamide 66(UL94V-0), Orange

Wier Range: 12~16 AWG

Rated: 12 Amperes.AC250V

Operation Temperature: -55°C~+115°C

Insulation withstands volt: AC2000V min

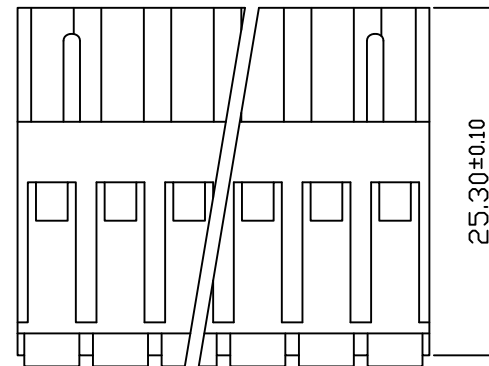
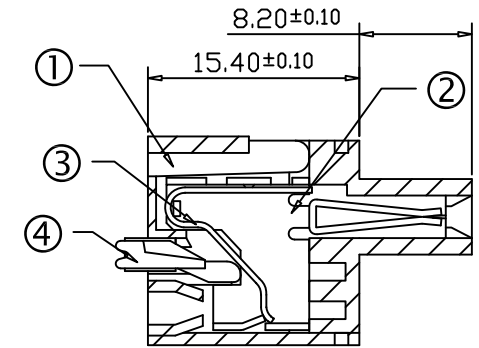
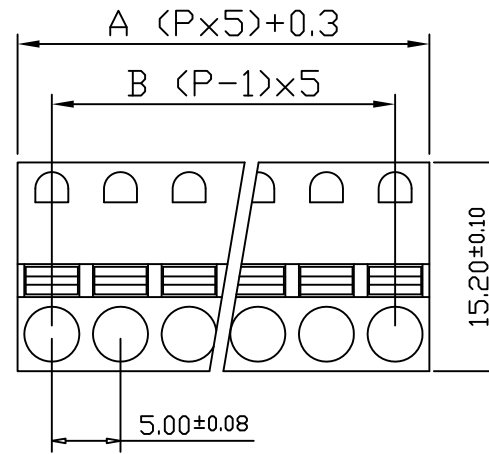
Insulation resistance: >1000MΩ or more at DC500V

Part Number:

HD-515F-□P

↑ Pole Size 2~24P

Tolerance ± 0.50



POLE	2	3	4	5	6	7	8	9	10	11	12	
A	10.3	15.3	20.3	25.3	30.3	35.3	40.3	45.3	50.3	55.3	60.3	
B	5	10	15	20	25	30	35	40	45	50	55	
POLE	13	14	15	16	17	18	19	20	21	22	23	24
A	65.3	70.3	75.3	80.3	85.3	90.3	95.3	100.3	105.3	110.3	115.3	120.3
B	60	65	70	75	80	85	90	95	100	105	110	115

文件發行
2018.08.24

黃琦婷



CO/Name	HOW DER ELECTRIC CO.,LTD	REV.	CONTENT	DATE	NO.	PART NO.	DRAWING	DATE	DRAWING NO
P/Name	Pluggable type terminal block	△			①				HD-E515501
					②		APPROVED	DATE	SCALE 2:1(:)
					③				SHEET 1/1
					④		CHECK	DATE	UNIT MM