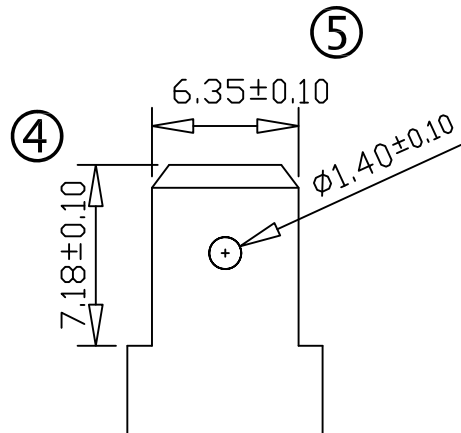
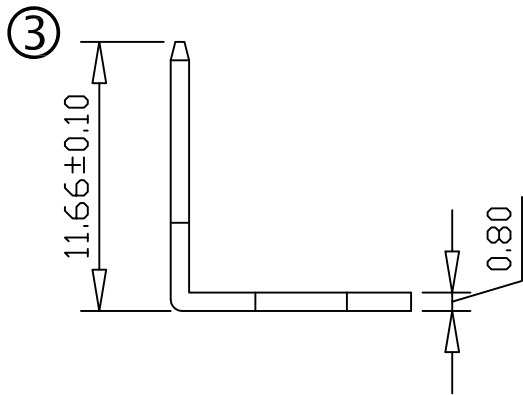
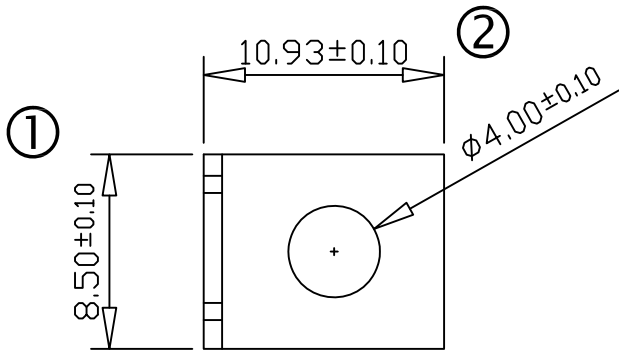


REVISIONS				
ZONE	REV	DESCRIPTION	DATE	APPROVED
	▲			



Terminals: Tin Plated Brass
Rated: 10 Amperes



Approved	Reviewed	Drawing	Treatment	Stannum	Model	www.howder-tw.com info@howder-tw.com	Tel: 886-2-2223-1026 Fax: 886-2-2221-6471
			Material	Copper	K-07-1	HOW DER ELECTRONIC CO.,LTD	
			Screw			Cross Jumper	SIZE
					Unit/mm	DWG NO. HD-KS0024	REV
						SCALE	2:1 (:)
						SHEET	1:1
						DATE	2009/10/27