

SPECIFICATIONS

- ① Housing Material: Phenolic , Black
- ② Screw: M3.0 Nickel Plated Steel
- ③ Terminals: Tin Plated Brass

Screws Torque: 7 In-Lb

Wire Range: 14~22 WG

Rated: 10 Amperes.AC250V

Operation Temperature: -55°C~+150°C

Insulation withstands volt: AC2000V min

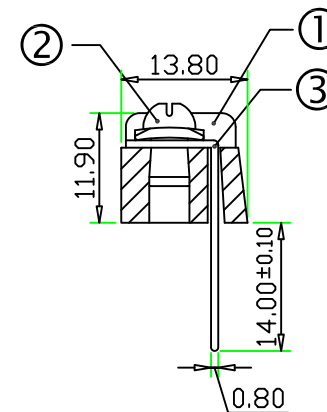
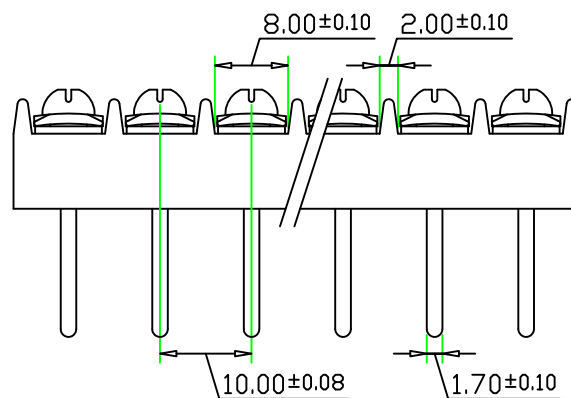
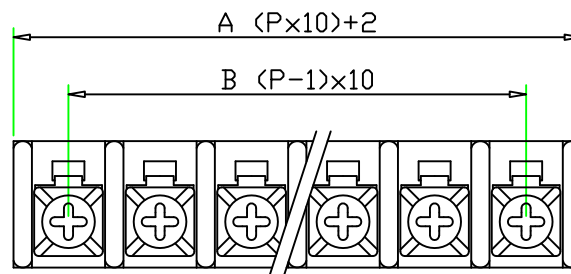
Insulation resistance: >1000MΩ or more at DC500V

Part Number:

FTB-10-B - P

Pole Size 2~24P

Tolerance ± 0.50



POLE	2	3	4	5	6	7	8	9	10	11	12	13	14	15
A	22	32	42	52	62	72	82	92	102	112	122	132	142	152
B	10	20	30	40	50	60	70	80	90	100	110	120	130	140
POLE	16	17	18	19	20	21	22	23	24					
A	162	172	182	192	202	212	222	232	242					
B	150	160	170	180	190	200	210	220	230					

文件發行

2009.8.26

林姿伶



CO/Name	HOW DER ELECTRIC CO.,LTD	REV.	CONTENT	DATE	NO.	PART NO.	DrawingNo	DATE	DrawingNo	FTB-1003
P/Name	Barrier type terminal block	△			①				Scale	2:1 (:)
					②		APPROVED	DATE	Sheet	1/1
					③				Unit	mm
					④		CHECK	DATE		
http://www.howder-tw.com Tel:02-2223-1026										
E-mail:howder.tb@msa.hinet.net Fax:02-2221-6471										