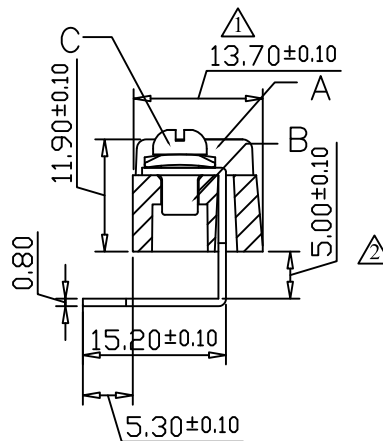
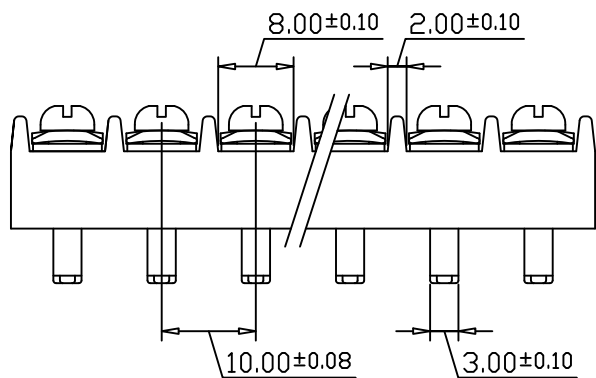
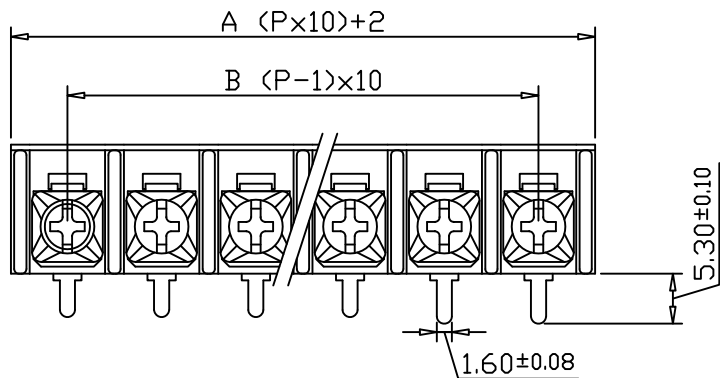


ZONE		REV	DESCRIPTION	DATE	APPROVED



✓	Poles	A±0.60	B±0.50		17	172.0	160.0
	02	22.0	10.0		18	182.0	170.0
	03	32.0	20.0	↓	Poles	A±0.90	B±0.80
	04	42.0	30.0		19	192.0	180.0
	05	52.0	40.0		20	202.0	190.0
	06	62.0	50.0		21	212.0	200.0
↓	Poles	A±0.70	B±0.60		22	222.0	210.0
	07	72.0	60.0		23	232.0	220.0
	08	82.0	70.0		24	242.0	230.0
	09	92.0	80.0	↓	Poles	A±1.0	B±0.90
	10	102.0	90.0		25	252.0	240.0
	11	112.0	100.0		26	262.0	250.0
	12	122.0	110.0				
↓	Poles	A±0.80	B±0.70				
	13	132.0	120.0				
	14	142.0	130.0				
	15	152.0	140.0				
	16	162.0	150.0				

Screws Torque: 7.0 In-Lb
 Wire Range: 14~22 AWG
 Rated: 10 Amperes.AC250V
 Operation Temperature: -55°C~+115°C
 Insulation withstands volt: AC2000V min
 Insulation resistance: >1000MΩ DC500V

Part Number:
FTB-10-A-XXP

02~26 Poles

		Plating/Finish	Remark
A	Insulating body	Barrier	Black
B	Terminals	Brass	Tin
C	Screws	Steel	Nickel
D			
E			

Size update From 13.8 to 13.7

(2020/04 /10)

文件發行
 2023.10.30
 JULIA



HOW DER
 ELECTRONIC CO.,LTD

DESIGN	CHECK	APPROVED	DRAWING NO.
DATE	DATE	DATE	
2009/09/03			

PART NAME	UNIT	REVISION
Terminal Blocks	MM	
CERTIFIED		
		SHEET
		1/1