

## SPECIFICATIONS

- ① Housing Material: Polyamide 66(UL94V-0), Black
- ② Screw: M4.0 Nickel Plated Steel
- ③ Terminals: Tin Plated Brass

Screws Torque: 20 In-Lb

Wire Range: 12~22 AWG

Rated: 30 Amperes.AC300V

Operation Temperature: -55°C~+95°C

Insulation withstands volt: AC2000V min

Insulation resistance: >1000MΩ or more at DC500V

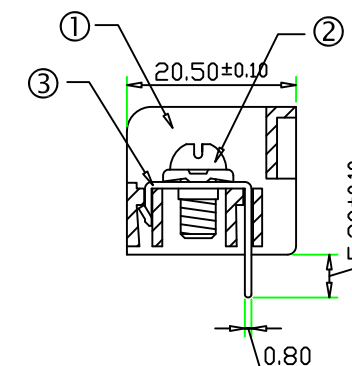
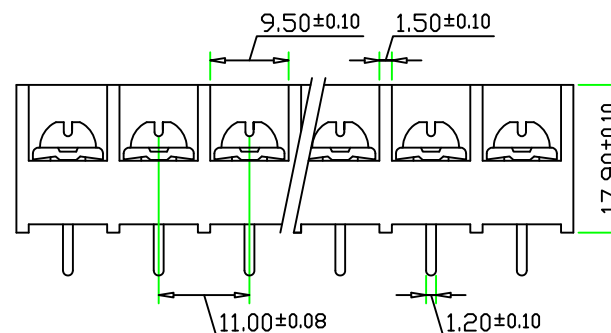
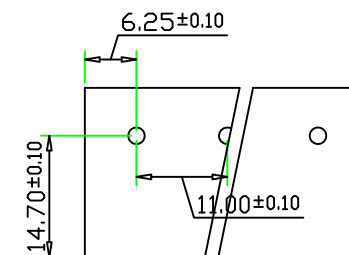
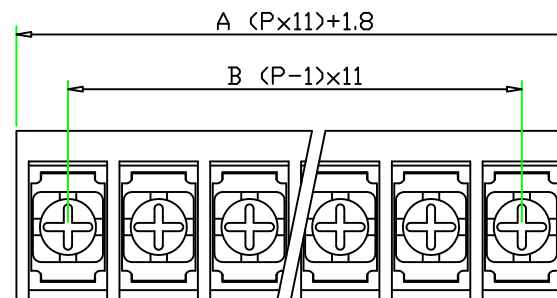
## Part Number:

HD-331-P

Pole Size 2~30P

Tolerance ± 0.5

POLE	2	3	4	5	6	7	8	9	10	11	12	13	14	15	
A	23.8	34.8	45.8	56.8	67.8	78.8	89.8	100.8	111.8	122.8	133.8	144.8	155.8	166.8	
B	11	22	33	44	55	66	77	88	99	110	121	132	143	154	
POLE	16	17	18	19	20	21	22	23	24	25	26	27	28	29	30
A	177.8	188.8	199.8	210.8	221.8	232.8	243.8	254.8	265.8	276.8	287.8	298.8	309.8	320.8	331.8
B	165	176	187	198	209	220	231	242	253	264	275	286	297	308	319



文件發行  
2009 09 .18  
林姿伶



CO/Name	HOW DER ELECTRIC CO.,LTD	REV.	CONTENT	DATE	NO.	PART NO.	DrawingNo		DATE		DrawingNo	HD-3301103
P/Name	Closed barrier type terminal block				①						Scale	2:1( : )
					②		APPROVED		DATE		Sheet	1/1
					③						Unit	mm
					④		CHECK		DATE			
http://www.howder-tw.com Tel:02-2223-1026												
E-mail:howder.tb@msa.hinet.net Fax:02-2221-6471												