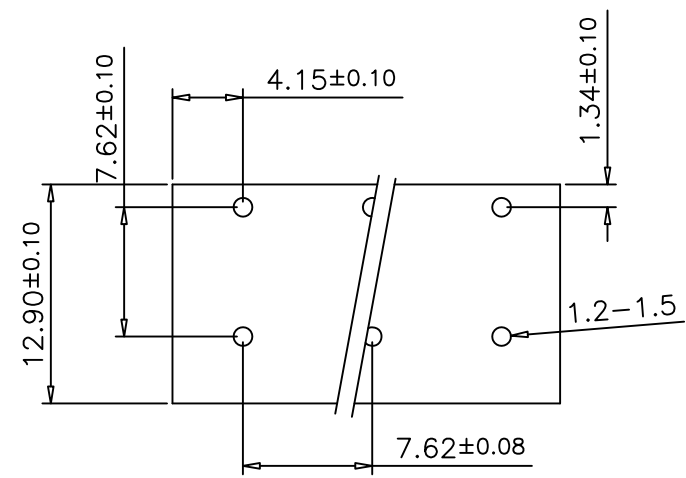
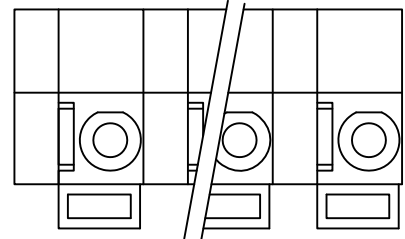
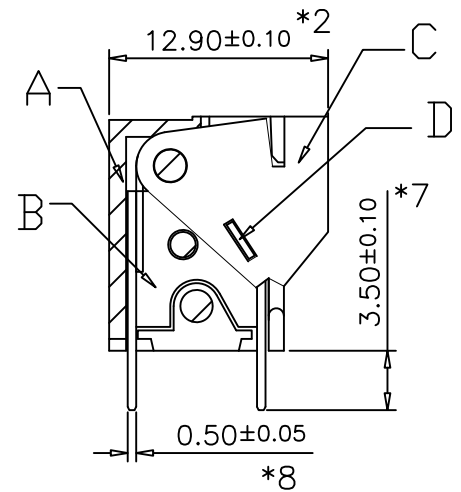
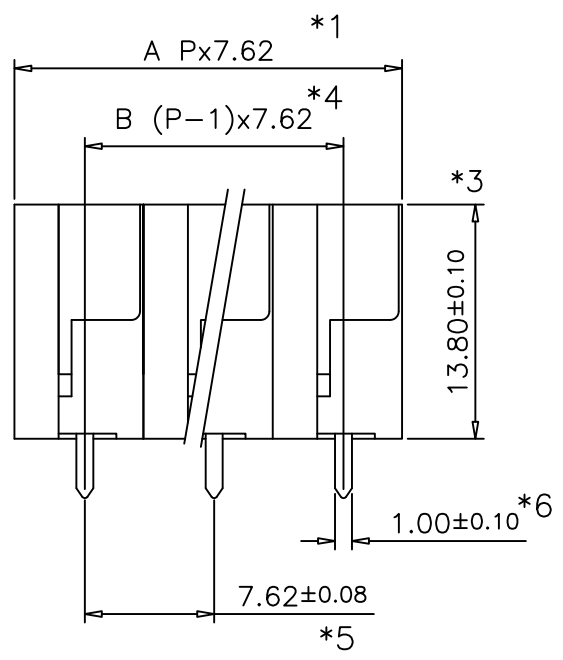


ZONE		REV	DESCRIPTION	DATE	APPROVED



✓	Poles	A±0.30	B±0.20
	02	15.24	7.62
	03	22.86	15.24
	04	30.48	22.86
	05	38.10	30.48
	06	45.72	38.1
↓	Poles	A±0.35	B±0.25
	07	53.34	45.72
	08	60.96	53.34
	09	68.58	60.96
	10	76.20	68.58
	11	83.82	76.20
	12	91.44	83.82



Screws Torque: -- In-Lb
 Wire Range: 18~22 AWG
 Rated: 10 Amperes.AC300V
 Operation Temperature: -55°C~+115°C
 Insulation withstands volt: AC2000V min
 Insulation resistance: >1000MΩ DC500V

Part Number:
HD-511-A-XXP
 02~24 Poles

	Material	Plating/Finish	Remark
A	Insulating body PA66 94V-0		Green
B	Terminal Brass	Tin	
C	lever PA66 94V-0		Orange
D	Spring Stainless Strip Steel		
E			

文件發行
 2024.05.09
 JULIA



				PART NAME	UNIT	REVISION
DESIGN	CHECK	APPROVED	DRAWING NO.	Terminal Blocks	MM	
DATE	DATE	DATE		CERTIFIED		SHEET
2009/09/03						1/1