



SPECIFICATIONS

- ① Housing Material: Polyamide 66(UL94V-0), Green
- ② Lever Material: Polyamide 66(UL94V-0), Orange
- ③ Terminals: Tin Plated Brass
- ④ Contact: Stainless Strip Steel

Wire Range: 18~22 AWG

Rated: 10 Amperes.AC300V

Operation Temperature: -55°C~+115°C

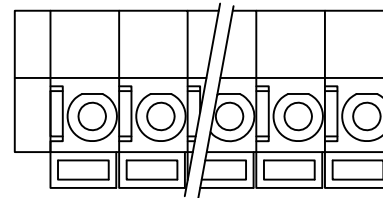
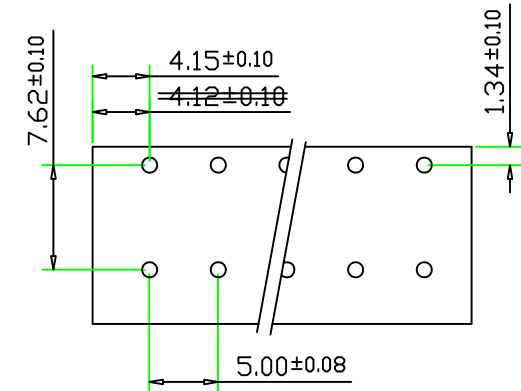
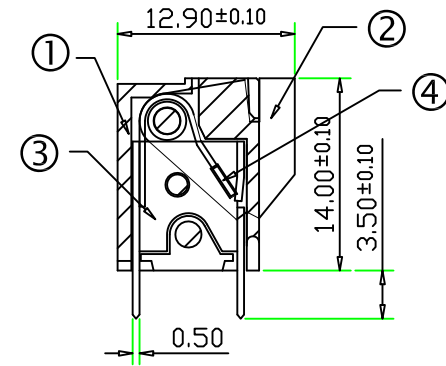
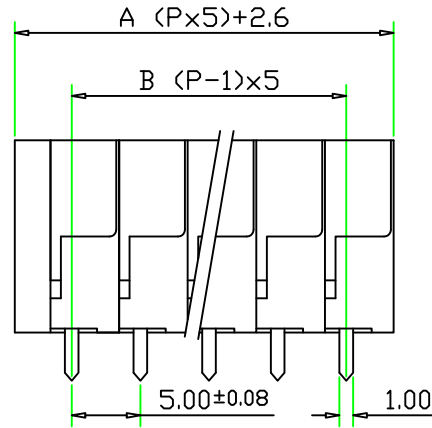
Insulation withstands volt: AC2000V min

Insulation resistance: >1000MΩ or more at DC500V

Part Number:

HD-511-□P

Pole Size 2~24P



Tolerance ± 0.50

POLE	2	3	4	5	6	7	8	9	10	11	12	
A	12.6	17.6	22.6	27.6	32.6	37.6	42.6	47.6	52.6	57.6	62.6	
B	5	10	15	20	25	30	35	40	45	50	55	
POLE	13	14	15	16	17	18	19	20	21	22	23	24
A	67.6	72.6	77.6	82.6	87.6	92.6	97.6	102.6	107.6	112.6	117.6	122.6
B	60	65	70	75	80	85	90	95	100	105	110	115

文件發行

2011. 10. 24

林姿伶



CO/Name	HOW DER ELECTRIC CO.,LTD	REV.	CONTENT	DATE	NO.	PART NO.	DRAWING	DATE	DRAWING NO	HD-515001
P/Name	Screwless type terminal block	△	尺寸修正4.12修改4.15	2011 1024	①					
					②		APPROVED	DATE	SCALE	2:1 (:)
					③				SHEET	1/1
					④		CHECK	DATE	UNIT	MM

http://www.howder-tw.com Tel:02-2223-1026

E-mail:howder.tb@msa.hinet.net Fax:02-2221-6471