



SPECIFICATIONS

- ① Housing Material: Polyamide 66(UL94V-0), Green
- ② Lever: Polyamide 66(UL94V-0), Orange
- ③ Terminals: Tin Plated Brass
- ④ Contact: Stainless Strip Steel

Wire Range: 20~26 AWG

Rated: 5 Amperes.AC150V

Operation Temperature: -55°C~+115°C

Insulation withstands volt: AC2000V min

Insulation resistance: >1000MΩ or more at DC500V

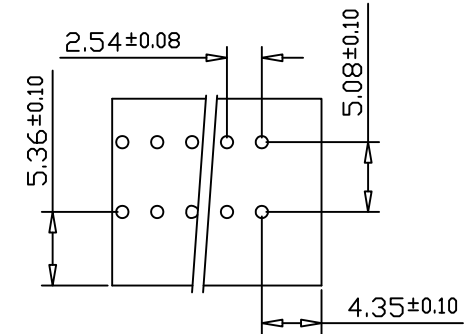
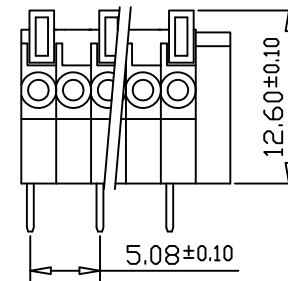
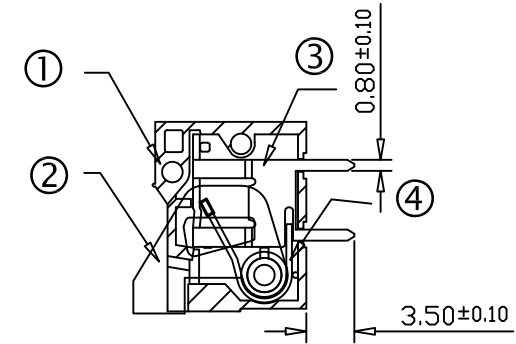
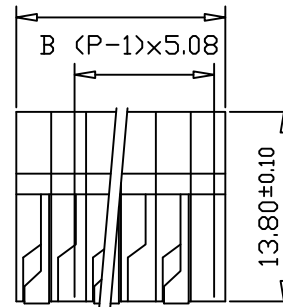
Part Number:

HD-532-A-□P

Pole Size 2~12P

Tolerance ± 0.50

A (P-1)×5.08+5.06



POLE	2	3	4	5	6	7	8	9	10	11	12
A	10.14	15.22	20.3	22.38	30.46	35.54	40.62	45.7	50.78	55.86	60.94
B	5.08	10.16	15.24	20.32	25.4	30.48	35.56	40.64	45.72	50.8	55.88

文件發行
2017.06.28

黃琦婷



CO/Name	HOW DER ELECTRIC CO.,LTD	REV.	CONTENT	DATE	NO.	PART NO.	DRAWING	DATE	DRAWING NO	HD-5325404
P/Name	Screwless type terminal block	△			①					
					②		APPROVED	DATE	SCALE	2:1(:)
					③				SHEET	1/1
					④		CHECK	DATE	UNIT	MM
http://www.howder-tw.com Tel:02-2223-1026										
E-mail:howder.tb@msa.hinet.net Fax:02-2221-6471										