



## SPECIFICATIONS

- ① Housing Material: Polyamide 66(UL94V-0), Gray
- ② Lever: Polyamide 66(UL94V-0), Ivory
- ③ Terminals: Tin Plated Brass
- ④ Contact: Stainless steel

Wire Range: 20~24 AWG

Rated: 5 Amperes.AC150V

Operation Temperature: -40°C~+105°C

Insulation withstands volt: AC2000V min

Insulation resistance: &gt;1000MΩ or more at DC500V

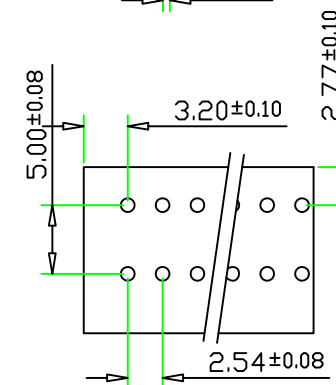
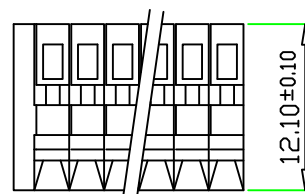
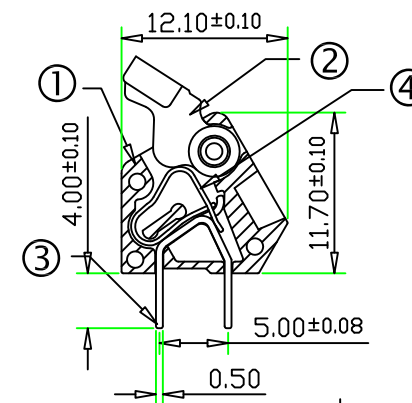
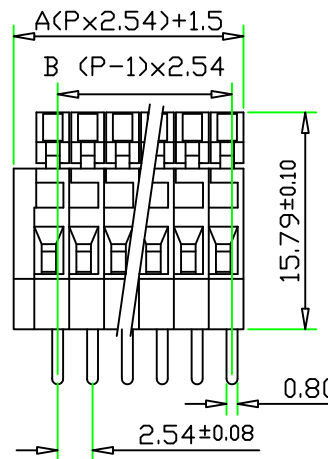
## Part Number:

HD-251-P

Pole Size 2~24P

Tolerance ± 0.50

POLE	2	3	4	5	6	7	8	9	10	11	12	13	14	15
A	6.58	9.12	11.66	14.2	16.74	19.28	21.82	24.36	26.9	29.44	31.98	34.52	37.06	39.6
B	2.54	5.08	7.62	10.16	12.7	15.24	17.78	20.32	22.86	25.4	27.94	30.48	33.02	35.56
POLE	16	17	18	19	20	21	22	23	24					
A	42.14	44.68	47.22	49.76	52.3	54.84	57.38	59.92	62.46					
B	38.1	40.64	43.18	45.72	48.26	50.8	53.34	55.88	58.42					



文件發行

2010. 4. 1

林姿伶

ROHS

CO/Name	HOW DER ELECTRIC CO.,LTD	REV.	CONTENT	DATE	NO.	PART NO.	DRAWING	DATE	DRAWING NO	HD-254001
P/Name	Screwless type terminal block	△			①				SCALE	2:1 ( : )
					②		APPROVED	DATE	SHEET	1/1
					③				UNIT	MM
					④		CHECK	DATE		
http://www.howder-tw.com Tel:02-2223-1026										
E-mail:howder.tb@msa.hinet.net Fax:02-2221-6471										