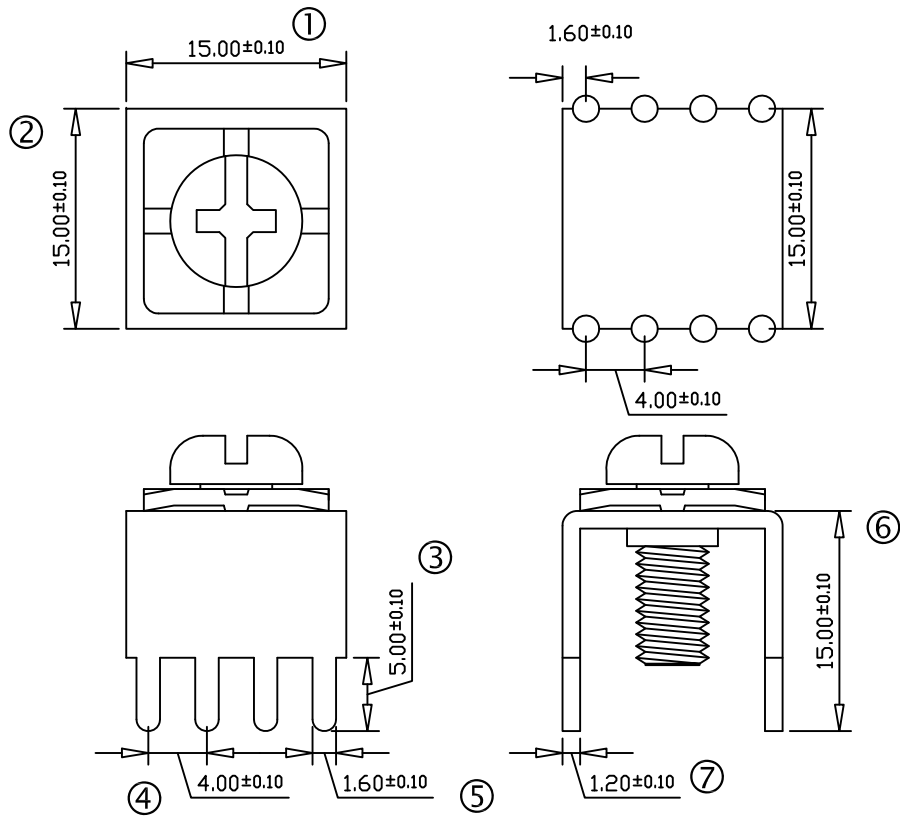


REVISIONS				
ZONE	REV	DESCRIPTION	DATE	APPROVED
	①			
	②			



SPECIFICATIONS

Screw:M5.0 Nickel Plated Steel
Terminal: Tin Plated Brass
Screw Torque: 110 In-Lb
Rated: 70 Amperes AC300V
Operation Temperature: -55°C~+200°C

文件發行
2019.04.09
黃琦婷

Approved	Reviewed	Drawing	Treatment	Stannum	Model	www.howder-tw.com info@howder-tw.com	Tel: 886-2-2223-1026 Fax: 886-2-2221-6471
			Material	Brass	K-31-Y5-J51	HOW DER ELECTRONIC CO.,LTD	
			Screw	M5x12x12.6N		Cross Jumper	SIZE
					Unit/mm	DWG NO. HD-KS0013	REV
						SCALE	2:1 (:)
						SHEET	1:1
						DATE	2009/10/27