

HOW DER

DATE 2009/08/26

SPECIFICATIONS

- ① Housing Material: Phenolic , Black
- ② Screw: M3.0 Nickel Plated Steel
- ③ Terminals: Tin Plated Brass

Screws Torque: 7 In-Lb

Wire Range: 14~22 WG

Rated: 10 Amperes.AC250V

Operation Temperature: -55°C~+150°C

Insulation withstands volt: AC2000V min

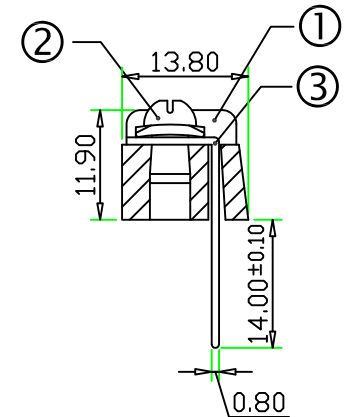
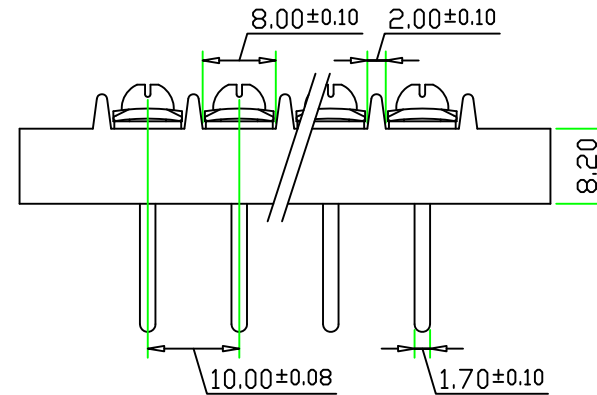
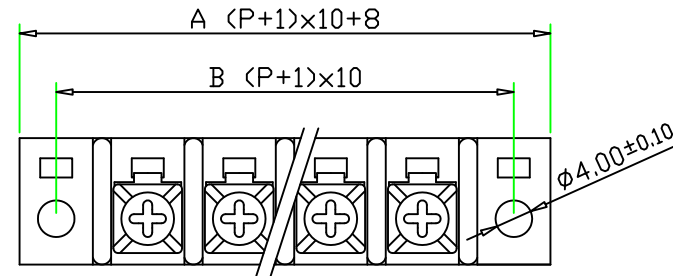
Insulation resistance: >1000MΩ or more at DC500V

Part Number:

FTB-10-B- PH

Pole Size 2~24P

Tolerance ± 0.50



POLE	2	3	4	5	6	7	8	9	10	11	12	13	14	15
A	38	48	58	68	78	88	98	108	118	128	138	148	158	168
B	30	40	50	60	70	80	90	100	110	120	130	140	150	160
POLE	16	17	18	19	20	21	22	23	24					
A	178	188	198	208	218	228	238	248	258					
B	170	180	190	200	210	220	230	240	250					

文件發行
2009.8.26
林姿伶



CO/Name	HOW DER ELECTRIC CO.,LTD	REV.	CONTENT	DATE	NO.	PART NO.	DrawingNo	DATE	DrawingNo	FTB-1004
P/Name	Barrier type terminal block	△			①				Scale	2:1 (:)
					②		APPROVED	DATE	Sheet	1/1
					③				Unit	mm
					④		CHECK	DATE		
http://www.howder-tw.com Tel:02-2223-1026										
E-mail:howder.tb@msa.hinet.net Fax:02-2221-6471										