

SPECIFICATIONS

- ① Housing Material: Polyamide 66(UL94V-0), Black
- ② Screw: M4.0 Gold Plated Steel
- ③ Terminals: Gold Plated Brass

Screws Torque: 15 In-Lb

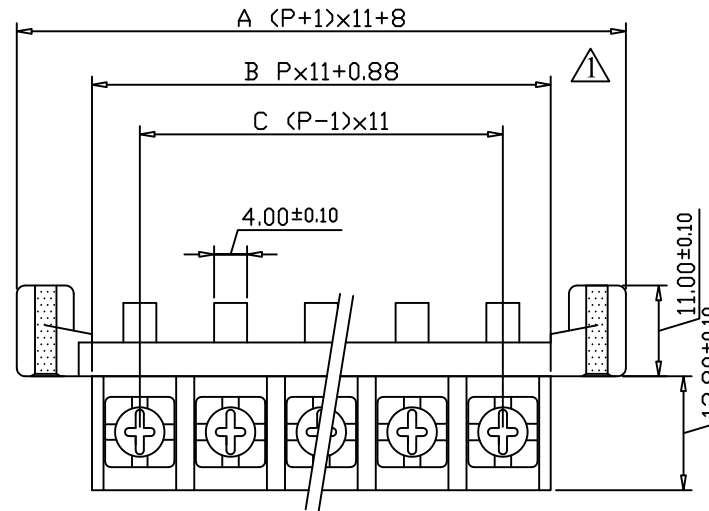
Wire Range: 10~18 AWG

Rated: 30 Amperes.AC300V

Operation Temperature: -55°C~+105°C

Insulation withstands volt: AC2000V min

Insulation resistance: >1000MΩ or more at DC500V

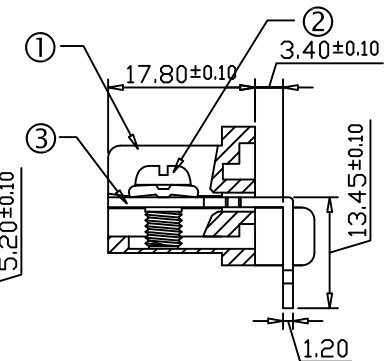
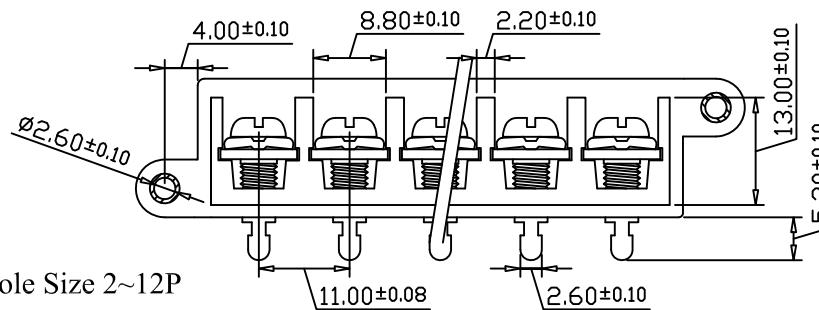


Part Number:

HD-344-2- PH-G



Pole Size 2~12P



Tolerance ± 0.5

POLE	2	3	4	5	6	7	8	9	10	11	12
A	41	52	63	74	85	96	107	118	129	140	151
B	22.88	33.88	44.88	55.88	66.88	77.88	88.88	99.88	110.88	121.88	132.88
C	11	22	33	44	55	66	77	88	99	110	121

文件發行

2018.04.10

黃琦婷

ROHS

CO/Name	HOW DER ELECTRONIC CO.,LTD	REV.	CONTENT	DATE	NO.	PART NO.	Drawing	ALLAN	DATE	201803/22	DrawingNo	HD-3411105
P/Name	Closed Barrier type terminal block	①	尺寸修正	2012 0627	①		Drawing		DATE		Scale	2:1(:)
		②	型號修正344改344-2	2016 0616	②		APPROVED		DATE		Sheet	1/1
		③			③						Unit	mm
		④			④		CHECK		DATE			

http://www.howder-tw.com Tel:02-2223-1026

E-mail:howder.tb@msa.hinet.net Fax:02-2221-6471