

## SPECIFICATIONS

- ① Housing Material: Polyamide 66(UL94V-0), Black
- ② Screw: M4.0 Gold Plated Steel
- ③ Terminals: Gold Plated Brass

Screws Torque: 15 In-Lb

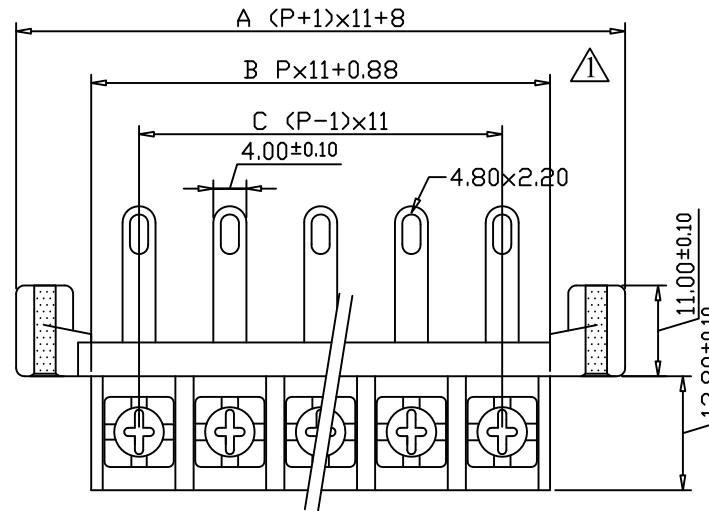
Wire Range: 10~18 AWG

Rated: 30 Amperes.AC300V

Operation Temperature: -55°C~+105°C

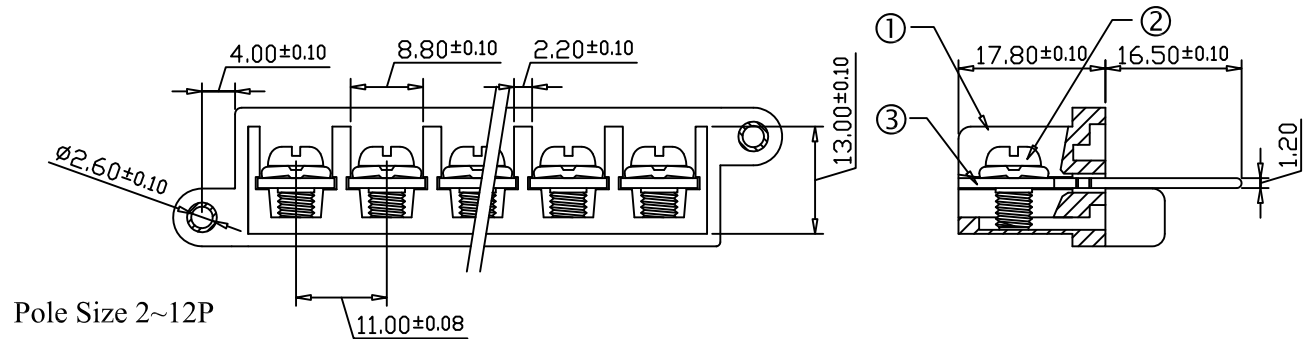
Insulation withstands volt: AC2000V min

Insulation resistance: >1000MΩ or more at DC500V



Part Number:

HD-341-PH-G



Tolerance  $\pm 0.5$

POLE	2	3	4	5	6	7	8	9	10	11	12
A	41	52	63	74	85	96	107	118	129	140	151
B	22.88	33.88	44.88	55.88	66.88	77.88	88.88	99.88	110.88	121.88	132.88
C	11	22	33	44	55	66	77	88	99	110	121

文件發行  
2017.04.21

黃琦婷

ROHS

CO/Name	HOW DER ELECTRIC CO.,LTD	REV.	CONTENT	DATE	NO.	PART NO.	DrawingNo	DATE	DrawingNo	HD-3411102
P/Name	Barrier type terminal block	△	尺寸修正	2012 0627	①					
					②		APPROVED	DATE	Scale	2:1( : )
					③				Sheet	1/1
					④		CHECK	DATE	Unit	mm