



## SPECIFICATIONS

- ① Housing Material: Polyamide 66(UL94V-0), Black
- ② Screw: M3.5 Nickel Plated Steel
- ③ Terminals: Tin Plated Brass

Screws Torque: 10 In-Lb

Wire Range: 14~22 AWG

Rated: 10/15 Amperes.AC250V

Operation Temperature: -55°C~+95°C

Insulation withstands volt: AC2000V min

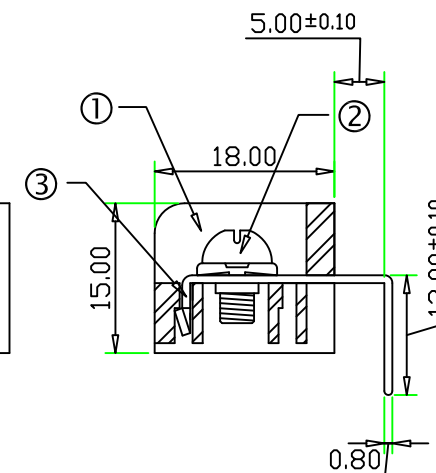
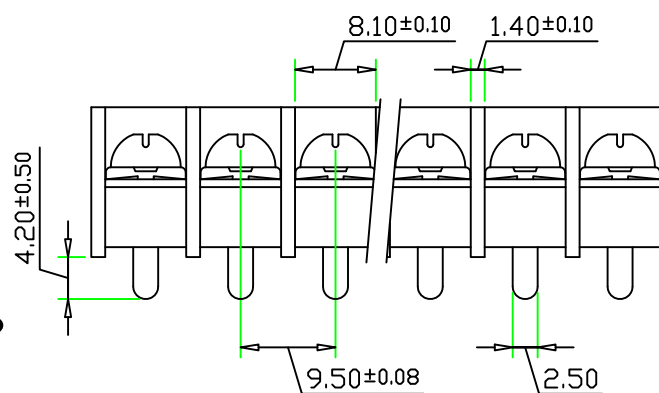
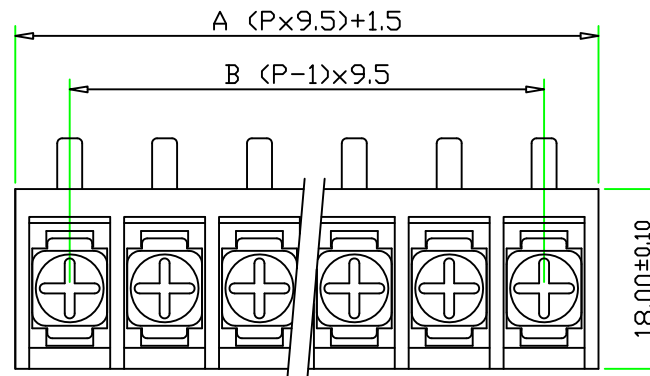
Insulation resistance: &gt;1000MΩ or more at DC500V

### Part Number:

HB-955-  P

Pole Size 2~30P

Tolerance ± 0.5



POLE	2	3	4	5	6	7	8	9	10	11	12	13	14	15	
A	20.4	29.9	39.4	48.9	58.4	67.9	77.4	86.9	96.4	105.9	115.4	124.9	134.4	143.9	
B	9.5	19	28.5	38	47.5	57	66.5	76	85.5	95	104.5	114	123.5	133	
POLE	16	17	18	19	20	21	22	23	24	25	26	27	28	29	30
A	153.4	162.9	172.4	181.9	191.4	200.9	210.4	219.9	229.4	238.9	248.4	257.9	267.4	276.9	286.4
B	142.5	152	161.5	171	180.5	190	199.5	209	218.5	228	237.5	247	256.5	266	275.5

文件發行

2009 08 .12

林姿伶



CO/Name	HOW DER ELECTRIC CO.,LTD	REV.	CONTENT	DATE	NO.	PART NO.	DrawingNo	DATE	DrawingNo	HB-959513
P/Name	Barrier type terminal block	△			①					
					②		APPROVED	DATE	Scale	2:1( : )
					③				Sheet	1/1
					④		CHECK	DATE	Unit	mm