

HOW DER

SPECIFICATIONS

- ① Housing Material: Polyamide 66(UL94V-0), Black
- ② Screw: M4.0 Nickel Plated Steel
- ③ Terminals: Tin Plated Brass
- ④ Cover: PC Transparent

Screws Torque: 15.7 In-Lb

Wire Range: 12~22 AWG

Rated: 25 Amperes.AC300V

Operation Temperature: -55°C~+95°C

Insulation withstands volt: AC2000V min

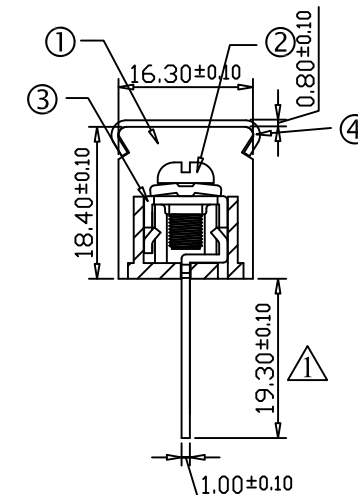
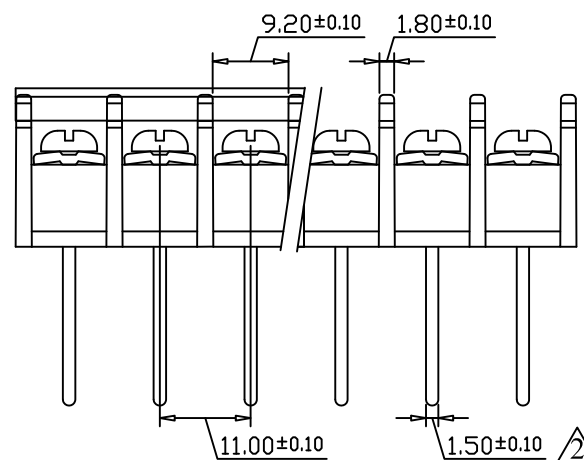
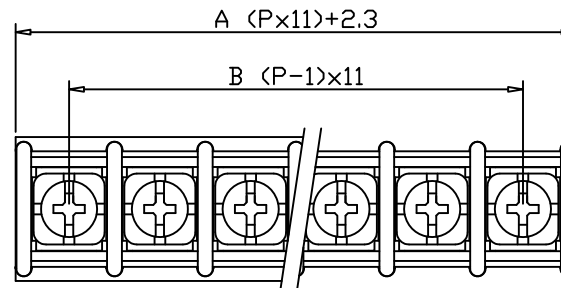
Insulation resistance: >1000MΩ or more at DC500V

Part Number:

HD-305-P-

C: With Cover

Pole Size 02~32P



POLE	02	03	04	05	06	07	08	09	10	11	12	13	14	15			
A	24.3	35.3	46.3	57.3	68.3	79.3	90.3	101.3	112.3	123.3	134.3	145.3	156.3	167.3			
B	11	22	33	44	55	66	77	88	99	110	121	132	143	154			
POLE	16	17	18	19	20	21	22	23	24	25	26	27	28	29	30	31	32
A	178.3	189.3	200.3	211.3	222.3	233.3	244.3	255.3	266.3	277.3	288.3	299.3	310.3	321.3	332.3	343.3	354.3
B	165	176	187	198	209	220	231	242	253	264	275	286	297	308	319	330	341

文件發行
2017.06.27
黃琦婷



CO/Name	HOW DER ELECTRONIC CO.,LTD	REV.	CONTENT	DATE	POLES	A	B	Drawing	DATE	2009/09/18	DrawingNo	HD-3001108
P/Name	Barrier type terminal block	①	尺寸修改19.0修改19.3	2017/06/27	02P~06P	±0.30	±0.20	APPROVED	DATE		Scale	2:1(:)
		②	尺寸修改1.6修改1.5	2018/04/18	07P~12P	±0.35	±0.25				Sheet	1/1
					13P~18P	±0.40	±0.30	CHECK	DATE		Unit	mm
					19P~24P	±0.45	±0.35					
http://www.howder-tw.com Tel:02-2223-1026					25P~30P	±0.50	±0.40					
E-mail:howder.tb@msa.hinet.net Fax:02-2221-6471												