

# HOW DER

DATE | 2009/08/31

## SPECIFICATIONS

- ① Housing Material: Polyamide 66(UL94V-0), Black
- ② Screw: M3.5 Nickel Plated Steel
- ③ Terminals: Tin Plated Brass
- ④ Cover: PC Transparent

Screws Torque: 7 In-Lb

Wire Range: 14~18 AWG

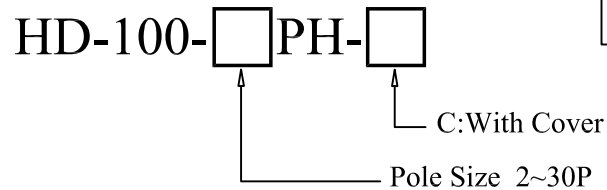
Rated: 15 Amperes.AC250V

Operation Temperature: -55°C~+95°C

Insulation withstands volt: AC2000V min

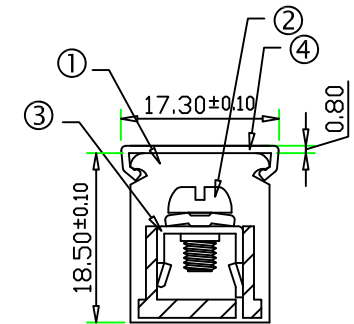
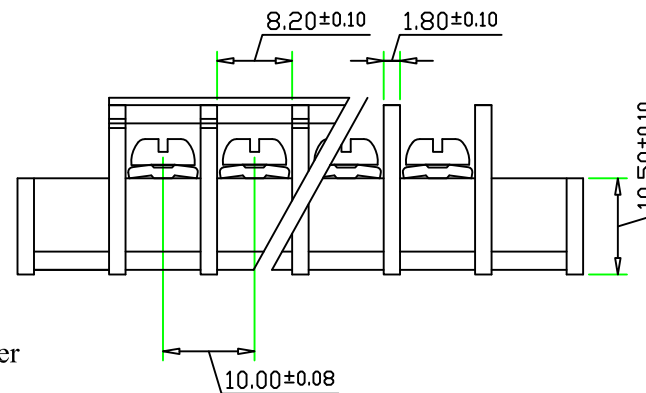
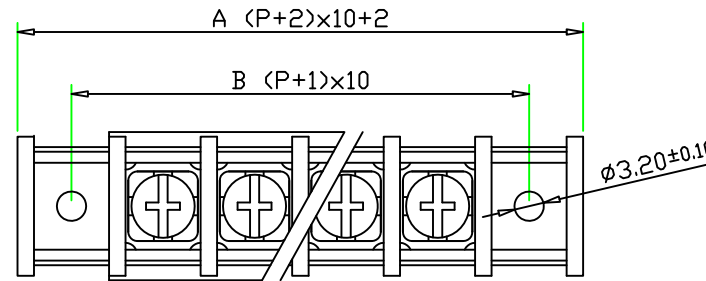
Insulation resistance: >1000MΩ or more at DC500V

## Part Number:



Tolerance ± 0.50

POLE	2	3	4	5	6	7	8	9	10	11	12	13	14	15	
A	42	52	62	72	82	92	102	112	122	132	142	152	162	172	
B	30	40	50	60	70	80	90	100	110	120	130	140	150	160	
POLE	16	17	18	19	20	21	22	23	24	25	26	27	28	29	30
A	182	192	202	212	222	232	242	252	262	272	282	292	302	312	322
B	170	180	190	200	210	220	230	240	250	260	270	280	290	300	310



CO/Name	HOW DER ELECTRIC CO.,LTD	REV.	CONTENT	DATE	NO.	PART NO.	DrawingNo	DATE	DrawingNo	HD-101001
P/Name	Barrier type terminal block	△			①				Scale	2:1 ( : )
					②		APPROVED	DATE	Sheet	1/1
					③				Unit	mm
					④		CHECK	DATE		
http://www.howder-tw.com Tel:02-2223-1026										
E-mail:howder.tb@msa.hinet.net Fax:02-2221-6471										