

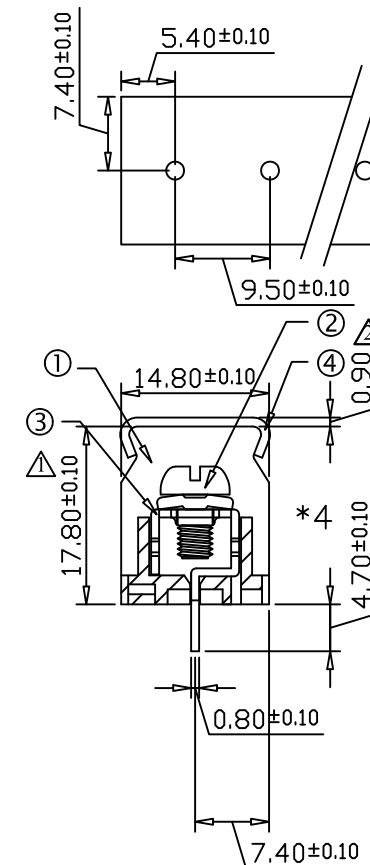
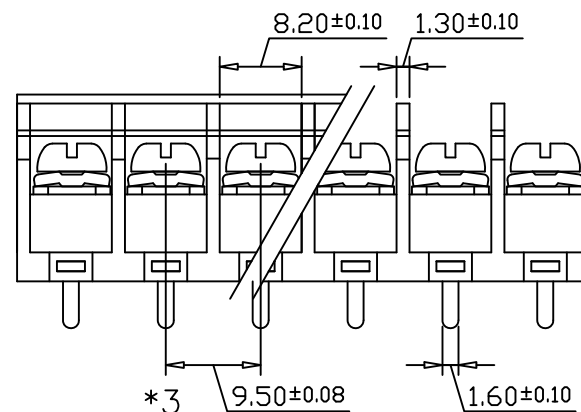
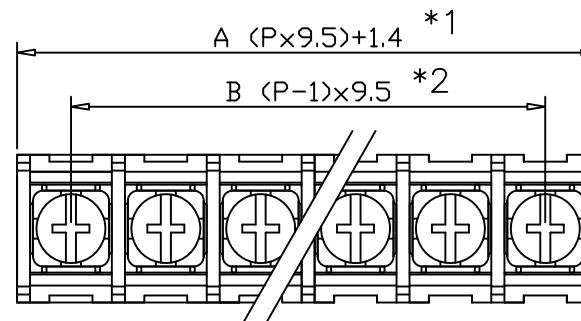
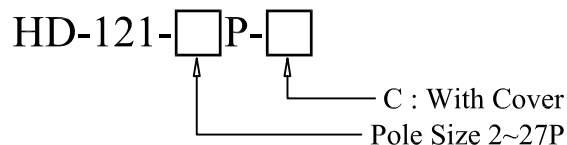
HOW DER

DATE 2009/08/25

SPECIFICATIONS

- ① Housing Material: PA 66(UL94V-0), Black
 - ② Screw: M3.5 Nickel Plated Steel
 - ③ Terminals: Tin Plated Brass
 - ④ Cover: PC Transparent
- Screws Torque: 15.7 In-Lb
 Wire Range: 12~22 AWG
 Rated: 20 Amperes.AC 250V(TUV)
 25 Amperes.AC 300V(UL)
 Operation Temperature: -55°C~+105°C
 Insulation withstands volt: AC2000V min
 Insulation resistance: >1000MΩ or more at DC500V

Part Number:



| POLE | 2 | 3 | 4 | 5 | 6 | 7 | 8 | 9 | 10 | 11 | 12 | 13 | 14 | 15 |
|------|-------|-------|-------|-------|-------|-------|-------|-------|-------|-------|-------|-------|-------|-------|
| A | 20.4 | 29.9 | 39.4 | 48.9 | 58.4 | 67.9 | 77.4 | 86.9 | 96.4 | 105.9 | 115.4 | 124.9 | 134.4 | 143.9 |
| B | 9.5 | 19 | 28.5 | 38 | 47.5 | 57 | 66.5 | 76 | 85.5 | 95 | 104.5 | 114 | 123.5 | 133 |
| POLE | 16 | 17 | 18 | 19 | 20 | 21 | 22 | 23 | 24 | 25 | 26 | 27 | | |
| A | 153.4 | 162.9 | 172.4 | 181.9 | 191.4 | 200.9 | 210.4 | 219.9 | 229.4 | 238.9 | 267.4 | 276.9 | | |
| B | 142.5 | 152 | 161.5 | 171 | 180.5 | 190 | 199.5 | 209 | 218.5 | 228 | 256.5 | 266 | | |



TUV



| | | | | | | | | | | | |
|-----------------------------------------------|-----------------------------|------|-------------------------------|-----------|---------|-------|-------|-----------|------|-----------|-------------|
| CO/Name | HOW DER ELECTRONIC CO.,LTD | REV. | CONTENT | DATE | POLES | A | B | DrawingNo | DATE | DrawingNo | HD-12095003 |
| | | △ | Size update From 18.0 to 17.8 | 2019 0528 | 02P~06P | ±0.20 | ±0.15 | | | | |
| P/Name | Barrier type terminal block | △ | Size update From 0.8 to 0.9 | 2019 0702 | 07P~12P | ±0.25 | ±0.20 | APPROVED | DATE | Scale | 2:1(:) |
| | | | | | 13P~18P | ±0.30 | ±0.25 | | DATE | Sheet | 1/1 |
| | | | | | 19P~24P | ±0.40 | ±0.35 | CHECK | DATE | Unit | mm |
| http://www.howder-tw.com Tel:886-2-2223-1026 | | | | | 25P~30P | ±0.50 | ±0.40 | | | | |
| E-mail:info@howder-tw.com Fax:886-2-2221-6471 | | | | | | | | | | | |