



SPECIFICATIONS

- ① Housing Material: Polyamide 66(UL94V-0), Gray
- ② Lever: Polyamide 66(UL94V-0), Ivory
- ③ Terminals: Tin Plated Brass
- ④ Contact: Stainless steel

Wire Range: 20~24 AWG

Rated: 5 Amperes.AC150V

Operation Temperature: -40°C~+105°C

Insulation withstands volt: AC2000V min

Insulation resistance: >1000MΩ or more at DC500V

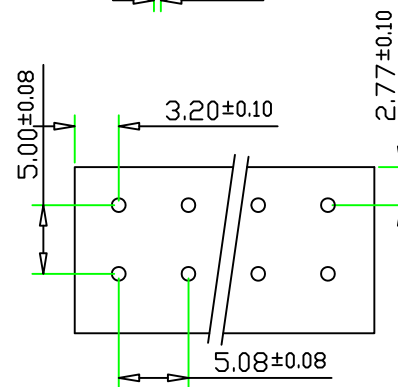
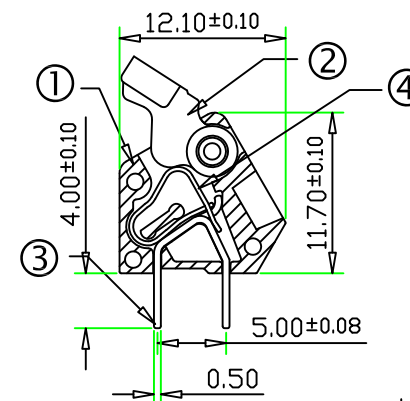
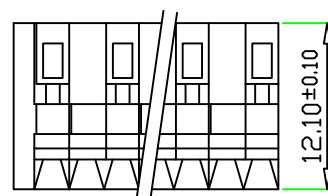
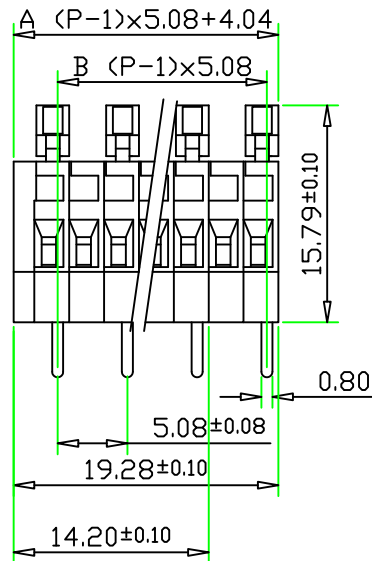
Part Number:

HD-251-A □ P

Pole Size 2~12P

Tolerance ± 0.50

POLE	2	3	4	5	6	7	8	9	10	11	12
A	9.12	14.20	19.28	24.36	29.44	34.52	39.60	44.68	49.76	54.84	59.92
B	5.08	10.16	15.24	20.32	25.40	30.48	35.56	40.64	45.72	50.80	55.88



文件發行

2010. 4. 1

林姿伶

ROHS

CO/Name	HOW DER ELECTRIC CO.,LTD	REV.	CONTENT	DATE	NO.	PART NO.	DRAWING	DATE	DRAWING NO	HD-254002
P/Name	Screwless type terminal block	△			①		DRAWING	DATE		
					②		APPROVED	DATE	SCALE	2:1(:)
					③			DATE	SHEET	1/1
					④		CHECK	DATE	UNIT	MM
http://www.howder-tw.com Tel:02-2223-1026										
E-mail:howder.tb@msa.hinet.net Fax:02-2221-6471										