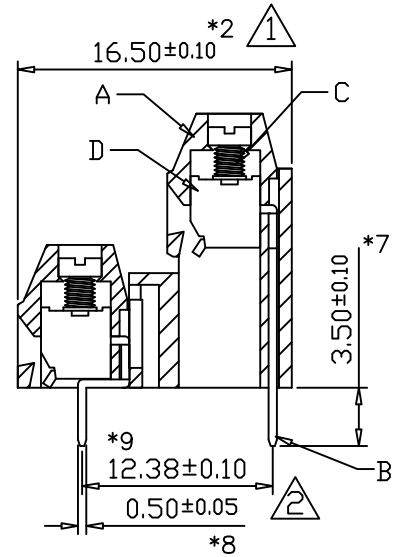
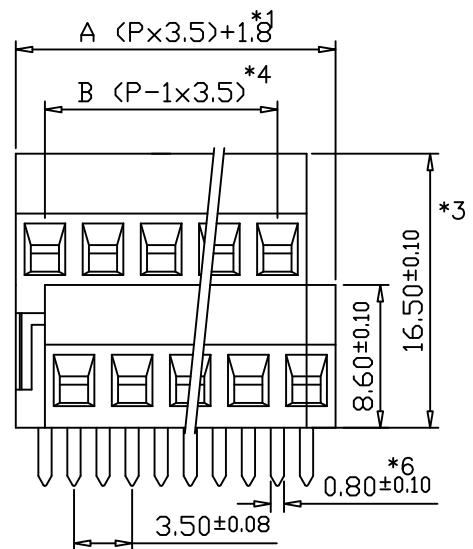
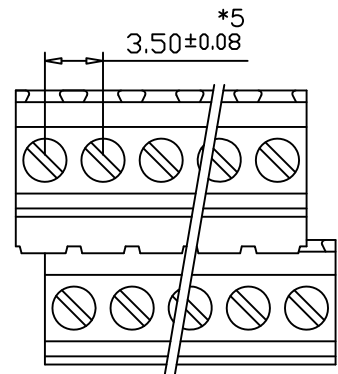


ZONE		REV	DESCRIPTION	DATE	APPROVED
------	--	-----	-------------	------	----------



✓	Poles	A±0.30	B±0.20		17	61.3	56.0
	02	8.8	3.5		18	64.8	59.5
	03	12.3	7.0	↓	Poles	A±0.45	B±0.35
	04	15.8	10.5		19	68.3	63.0
	05	19.3	14.0		20	71.8	66.5
	06	22.8	17.5		21	75.3	70.0
↓	Poles	A±0.35	B±0.25		22	78.8	73.5
	07	26.3	21.0		23	82.3	77.0
	08	29.8	24.5		24	85.8	80.5
	09	33.3	28.0	↓	Poles	A±0.50	B±0.40
	10	36.8	31.5		25	89.3	84.0
	11	40.3	35.0		26	92.8	87.5
	12	43.8	38.5				
↓	Poles	A±0.40	B±0.30				
	13	47.3	42.0				
	14	50.8	45.5				
	15	54.3	49.0				
	16	57.8	52.5				

Screws Torque: 1 In-Lb
 Wire Range: 16~24 AWG
 Rated: 10 Amperes.AC300V
 Operation Temperature: -55°C~+115°C
 Insulation withstands volt: AC1600V min
 Insulation resistance: >1000MΩ DC500V

Part Number:
HD-352L-XXP
 02~26 Poles

	Material	Plating/Finish	Remark
A	Insulating body PA66 UL 94V-0		Green
B	Terminal Brass	Tin	
C	Screw Steel M2.0	Yellow Zinc	
D	Cage Clamp Brass	Tin	
E			

文件發行
 2020.07.14
 張芳綾



Size update From 11.10 to 12.38 (2020/07/08)
 Size update From 16.60 to 16.50 (2020/07/09)

DESIGN		CHECK	APPROVED	DRAWING NO.	PART NAME	UNIT	REVISION
DATE	DATE	DATE			Terminal Blocks	MM	
2009/09/03	2020/07/13				CERTIFIED		
							SHEET
							1/1

http://www.howder-tw.com
 E-mail: info@howder-tw.com
 Tel: 886-2-2223-1026
 Fax: 886-2-2221-6471