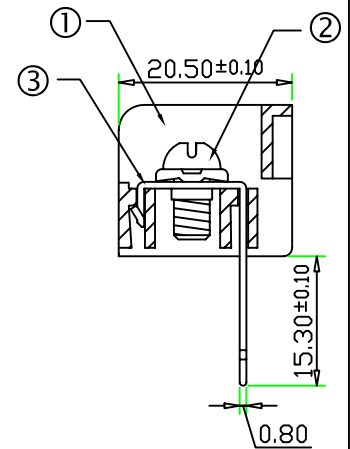
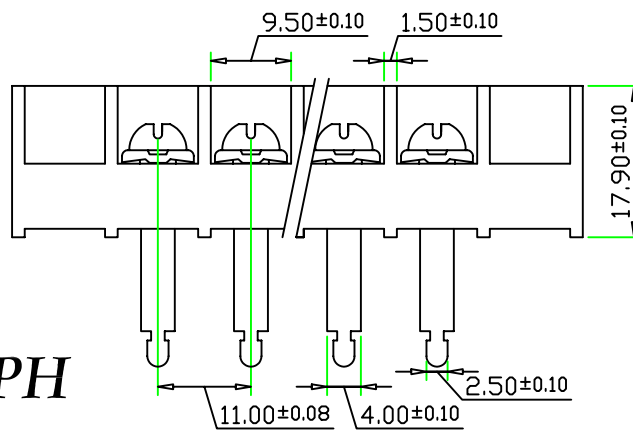
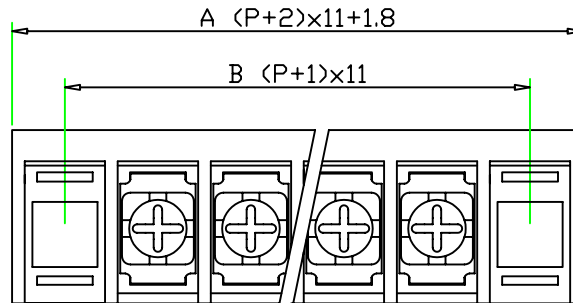




**HOWDER**

Closed Barrier type terminal block



Part Number:

HD-337-PH

Pin Size 2~30P

## SPECIFICATIONS

- ① Housing Material: Polyamide 66(UL94V-0), Black
- ② Screw: M4.0 Nickel Plated Steel
- ③ Terminals: Tin Plated Brass

Screws Torque: 20 In-Lb

Wire Range: 12~22 AWG

Rated: 30 Amperes.AC300V

Operation Temperature: -55°C~+95°C

Insulation withstands volt: AC2000V min

Insulation resistance: >1000MΩ or more at DC500V